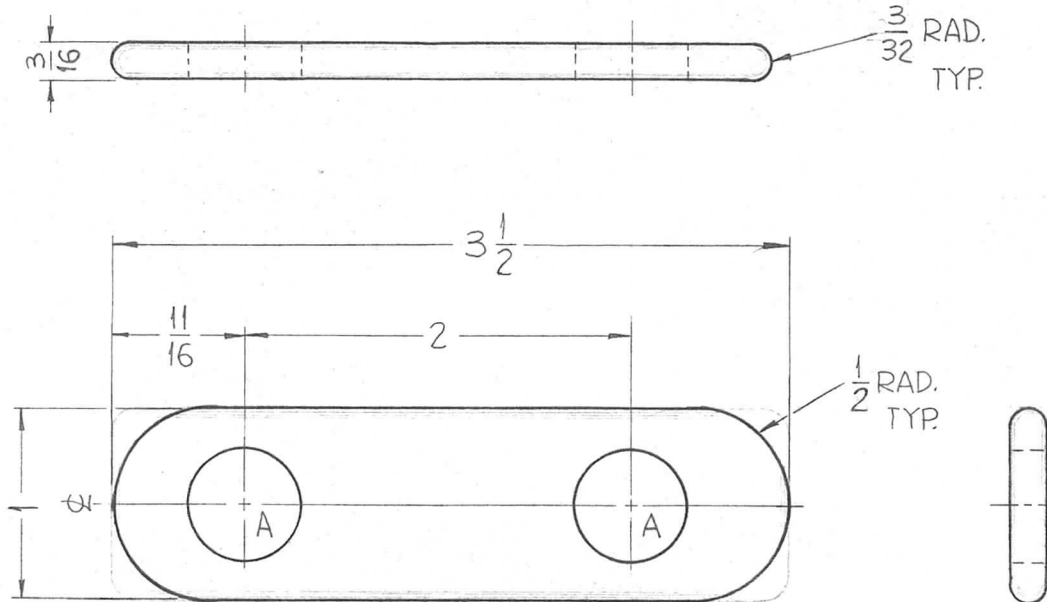


THE CONTENTS OF THIS DRAWING ARE THE EXCLUSIVE PROPERTY OF THE TECHNICAL MATERIEL CORP. ITS UNAUTHORIZED USE OR REPRODUCTION IN WHOLE OR IN PART IS STRICTLY FORBIDDEN.

REQ. PER UNIT	USED ON		
	MODEL	ASS'Y. NO.	DATE
6	GPT-200K	AP-109	11-2-62
6	GPT-200K	AP-111	11-2-62

PM-886 0



HOLE	DESCRIPTION	REQ.
A	9/16 DIA.	2

REQ.	ITEM	PART NO.	F. BUDETTI DESCRIPTION			SYMBOL
		3/16 THICK	THE TECHNICAL MATERIEL CORP.			
		STOCK SIZE	MAMARONECK, NEW YORK			
0	ORIGINAL RELEASE	5.16.64	PLATE, CONNECTOR TERMINAL			
		COPPER				
		MATERIAL				
SYM	DESCRIPTION	DATE	CH. NO.	DRAFTS	CHECKER	ENG. APP.
	UNLESS OTHERWISE SPECIFIED:					
	DIMENSIONS ARE IN INCHES	SCALE:				
	TOLERANCES ON	MAXIMUM ALLOWABLE TOLERANCES HAVE BEEN DETERMINED AND ANY DEVIATIONS WILL BE CAUSE FOR REJECTION.				
	FRAC. ± 1/64 DEC. ± .005 ANGLES ± 1/2°	REMOVE ALL BURRS AND SHARP EDGES				
		TYPE & TEMPER	HEATTREAT. SPEC.	DRAWN	CHECKED	FINAL APPROVAL
		NO FINISH		SRG	aa	RR
		FINISH & SPEC. NO.		20		PM-886 0
				ELEC. DES. APP.	MECH. DES. APP.	