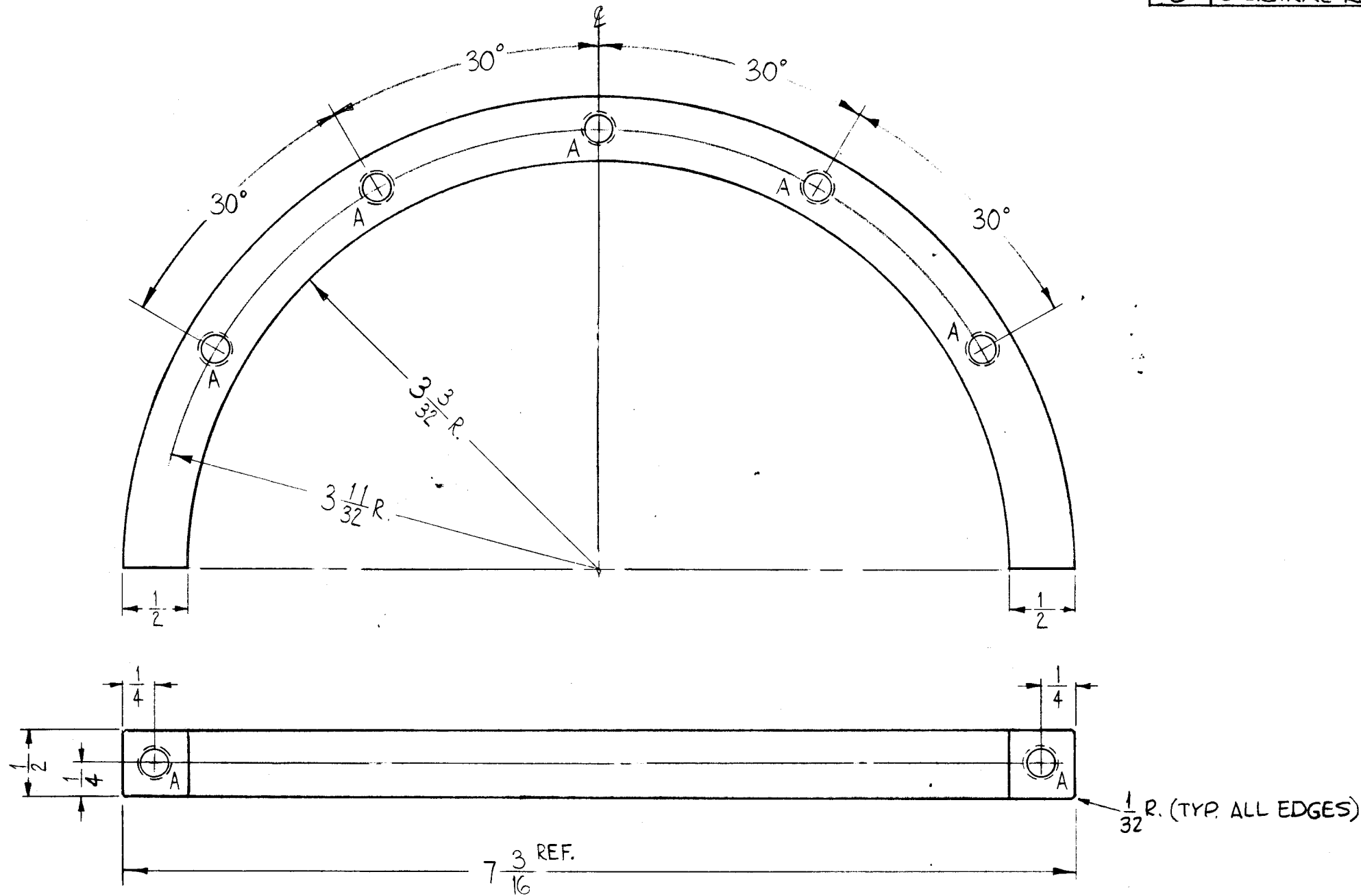


PM-877

REVISIONS

SYM	DESCRIPTION	DATE	E.M.N. NO.	DRAFT	CHKD	APPD
0	ORIGINAL RELEASE FOR PRODUCTION	5-18-64		SRG		



HOLE	DESCRIPTION	REQ.
A	DRILL & TAP FOR 1/4-20	7

REQ'D.	ITEM	PART NUMBER	DESCRIPTION	SYMBOL
F. BUDETTI LIST OF MATERIAL				
MATERIAL 1/2 THICK ALUMINUM, 2024 - T-4			THE TECHNICAL MATERIEL CORP. MAMARONECK, NEW YORK	
FINISH SILVER PLATE - .0003			TITLE RETAINER, CAPACITOR	
UNLESS OTHERWISE SPECIFIED DIMENSIONS ARE IN INCHES AND INCLUDE CHEMICALLY APPLIED OR PLATED FINISHES		DRAWN W. A. FRANCO	DATE 12-7-62	FINAL APPROVAL <i>[Signature]</i>
		CHECKED <i>[Signature]</i>	DATE	
		ELECT. DES. <i>[Signature]</i>	DATE 3/18/64	PM-877
		MECH. DES. <i>[Signature]</i>	DATE	0
DECIMALS .X ± .05 .XX ± .01 .XXX ± .005				SHEET
FRACTIONS ± 1/64 ANGLES ± 0° 30'				REV. LTR.
TOLERANCES				

2	GPT-200K	AX-395
Q'TY./UNIT	MODEL USED ON	ASS'Y. NO.
SCALE FULL	CODE	
THE CONTENTS OF THIS DRAWING ARE THE EXCLUSIVE PROPERTY OF THE TECHNICAL MATERIEL CORP. ITS UNAUTHORIZED USE OR REPRODUCTION IN WHOLE OR IN PART IS STRICTLY FORBIDDEN.		

NOTES