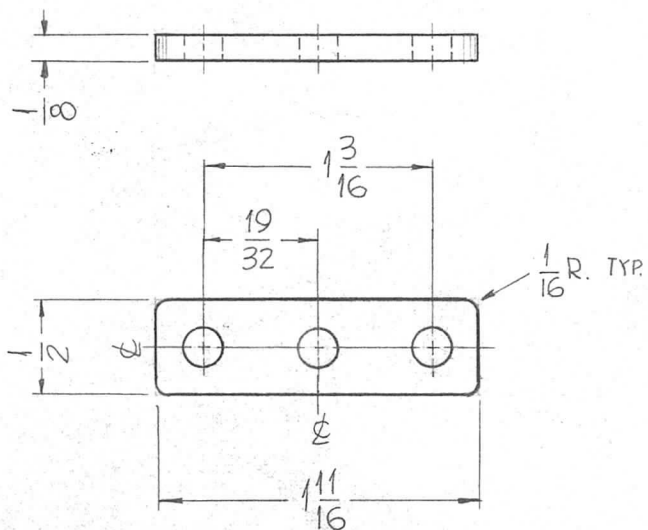


THE CONTENTS OF THIS DRAWING ARE THE EXCLUSIVE PROPERTY OF THE TECHNICAL MATERIEL CORP. ITS UNAUTHORIZED USE FOR REPRODUCTION IN WHOLE OR IN PART IS STRICTLY FORBIDDEN.

REQ. PER UNIT	USED ON		
	MODEL	ASS'Y. NO.	DATE
8	GPT-200K AS-123	AX-447	12-12-62
4	GPT-200K AS-123	AX-448	12-12-62

PM-848 0



HOLES

15/64 DIA. (3REQ.)

FINISH NOTE:

ROUND ALL EDGES 1/32 R.
POLISH BEFORE PLATING
S245 - SILVER PLATE, BRIGHT
S-423 - IRIDITE, 18-P SILVER KOTE

REQ.	ITEM	PART NO.	F. BUDETTI	DESCRIPTION	SYMBOL
		1/8 THICK		THE TECHNICAL MATERIEL CORP.	
		STOCK SIZE		MAMARONECK, NEW YORK	
0	ORIGINAL RELEASE	5.16.64	JWB	CONTACT HOLDER, BANDSWITCH	
X1	MTG HOLES WERE 3/16 DIA	10-21-63			
SYM	DESCRIPTION	DATE	CH. NO.	DRAFTS	CHECKER
UNLESS OTHERWISE SPECIFIED DIMENSIONS ARE IN INCHES AND INCLUDE CHEMICALLY APPLIED OR PLATED FINISHES		SCALE	MATERIAL		
DECIMALS .X ± .05 .XX ± .01 .XXX ± .005		FRACTIONS ± 1/64 ANGLES ± 0° 30'	CODE	HALF HARD	
TOLERANCES				TYPE & TEMPER	HEAT TREAT. SPEC.
				DRAWN	CHECKED
				SEE NOTE	FINAL APPROVAL
				FINISH & SPEC. NO.	ELEC. DES. APP.
					MECH. DES. APP.
					PM-848 0