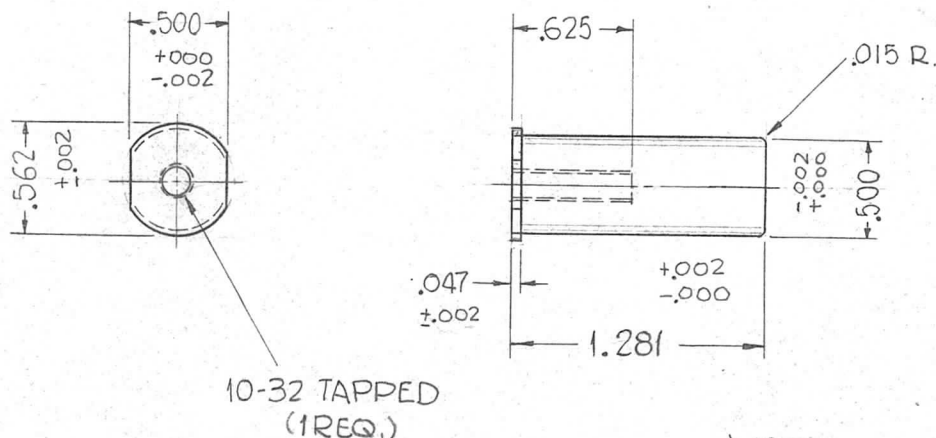


THE CONTENTS OF THIS DRAWING ARE THE EXCLUSIVE PROPERTY OF THE TECHNICAL MATERIEL CORP. ITS UNAUTHORIZED USE FOR REPRODUCTION IN WHOLE OR IN PART IS STRICTLY FORBIDDEN.

REQ. PER UNIT	USED ON		
	MODEL	ASS'Y. NO.	DATE
24	GPT-200K, AS-123	AX-447	12-12-62
12	GPT-200K, AS-123	AX-448	5-11-64

PM-846 0



NOTE:

UNLESS OTHERWISE SPECIFIED,
 POLISH BEFORE PLATING
 ROUND ALL EDGES. $1/32 R$.
 S-245-SILVER PLATE BRIGHT
 RHODIUM PLATE .000010

REQ.	ITEM	PART NO.	F. BUDETTI	DESCRIPTION	SYMBOL									
		9/16 DIA. ROD		THE TECHNICAL MATERIEL CORP. MAMARONECK, NEW YORK	SLUG, CONTACT, BANDSWITCH									
		STOCK SIZE												
		ROUND HARD DRAWN COPPER												
0	ORIGINAL RELEASE	5.16.64	SRB											
SYM	DESCRIPTION	DATE	CH. NO.	DRAFTS	CHECKER	ENG. APP.	MATERIAL	SCALE	TYPE & TEMPER	HEAT TREAT. SPEC.	DRAWN	CHECKED	FINAL APPROVAL	
UNLESS OTHERWISE SPECIFIED DIMENSIONS ARE IN INCHES AND INCLUDE CHEMICALLY APPLIED OR PLATED FINISHES											SRG	aa	SRB	
DECIMALS .X ± .05 .XX ± .01 .XXX ± .005	TOLERANCES	FRACTIONS ± 1/64 ANGLES ± 0° 30'	CODE											
													PM-846 0	