

THE CONTENTS OF THIS DRAWING ARE THE EXCLUSIVE PROPERTY OF THE TECHNICAL MATERIEL CORP. ITS UNAUTHORIZED USE FOR REPRODUCTION IN WHOLE OR IN PART IS STRICTLY FORBIDDEN.

REQ. PER UNIT

2

MODEL

GPR-92

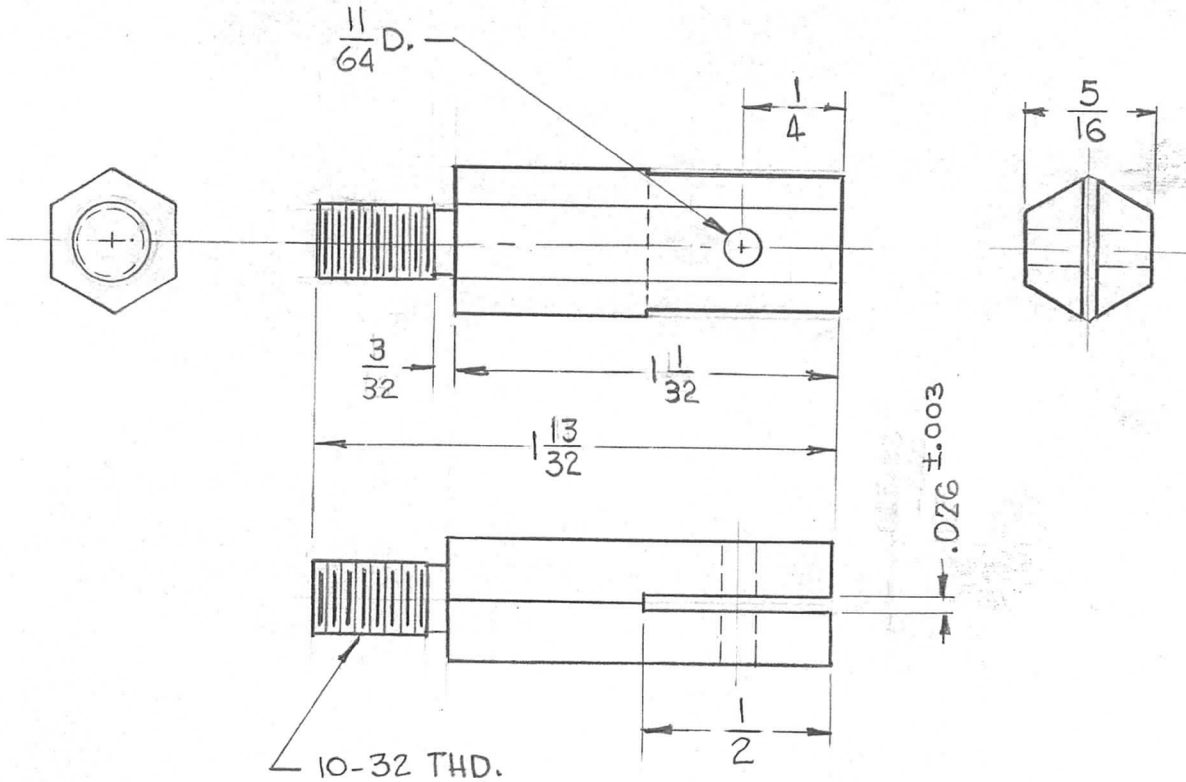
USED ON

ASS'Y. NO.

DATE

11-6-62

PM-816 B



REQ. ITEM	PART NO.	STRUMER	DESCRIPTION	SYMBOL
B	5/16 (ACROSS FLAT) HEX ROD		THE TECHNICAL MATERIEL CORP. MAMARONECK, NEW YORK	
A	BRASS		PIN, HOLDER, SPRING	
UNLESS OTHERWISE SPECIFIED DIMENSIONS ARE IN INCHES AND INCLUDE CHEMICALLY APPLIED OR PLATED FINISHES		SCALE DO NOT SCALE		
DECIMALS .X ± .05 .XX ± .01 .XXX ± .005	FRACTIONS ± 1/64 ANGLES, ± 0° 30'	CODE		
TOLERANCES				
FREE TURNING		GD.L	JHE	BP
TYPE & TEMPER		HEAT TREAT. SPEC.	DRAWN	CHECKED
NONE			JMA	D.M.
FINISH & SPEC. NO.		ELEC. DES. APP.	MECH. DES. APP.	PM-816 B