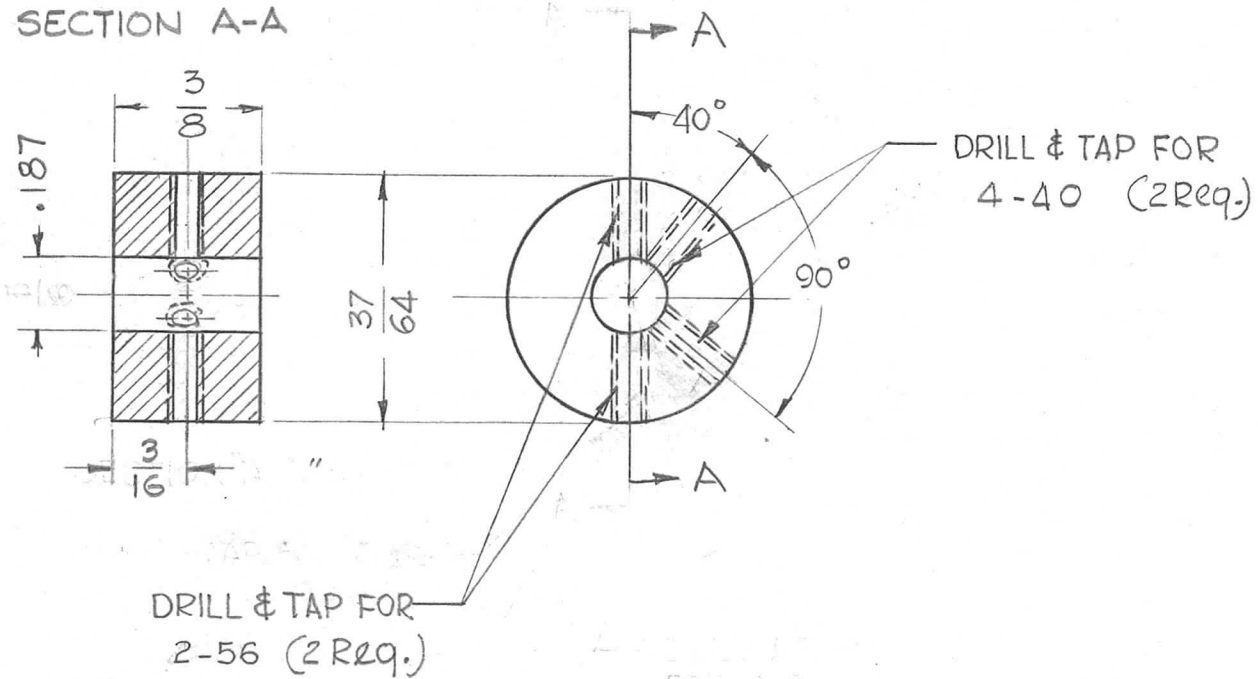


THE CONTENTS OF THIS DRAWING ARE THE EXCLUSIVE PROPERTY OF THE TECHNICAL MATERIEL CORP. ITS UNAUTHORIZED USE OR REPRODUCTION IN WHOLE OR IN PART IS STRICTLY FORBIDDEN.

REQ. PER UNIT	USED ON			PM-801
	MODEL	ASS'Y. NO.	DATE	
1	HFR-1	AX-377	7-26-62	

SECTION A-A



						REQ.	ITEM	PART NO.	KRUY	DESCRIPTION	SYMBOL
										THE TECHNICAL MATERIEL CORP.	
										MAMARONECK, NEW YORK	
										COUPLER, MTG, ROD	
SYM	DESCRIPTION	DATE	CH. NO.	DRAFTS	CHECKER	ENG. APP.					
UNLESS OTHERWISE SPECIFIED: DIMENSIONS ARE IN INCHES		SCALE: AX-377					# 303		G.D.L.	<i>HDe</i>	<i>BP</i>
TOLERANCES ON FRAC. ± 1/64 DEC. ± .005 ANGLES ± 1/2°		MAXIMUM ALLOWABLE TOLERANCES HAVE BEEN DETERMINED AND ANY DEVIATIONS WILL BE CAUSE FOR REJECTION. REMOVE ALL BURRS AND SHARP EDGES					S104 PASSIVATE		DRAWN	CHECKED	FINAL APPROVAL
							FINISH & SPEC. NO.		ELEC. DES. APP.	MECH. DES. APP.	PM-801