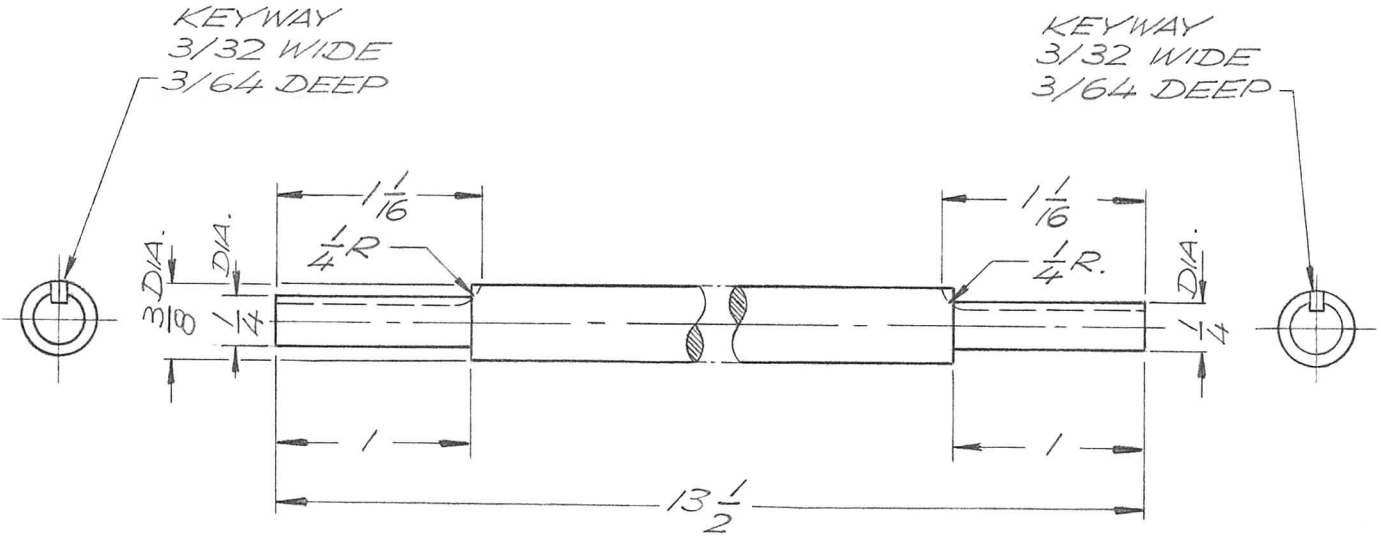


APPLICATION			REVISIONS						
QTY	MODEL USED ON	ASS'Y NO.	LTR	DESCRIPTION	DATE	E.M.N.NO	DRAFT	CHKD	APPD
2	SPT3KVHF		X	EXP. RELEASE	11/26/68		K.H.		
2	AX 8081		Ø	ORIG. RELEASE FOR PROD	12-6-68	Ø	R.G.		



NOTE:
REMOVE ALL ROUGH EDGES

UNLESS OTHERWISE SPECIFIED DIMENSIONS ARE IN INCHES AND INCLUDE CHEMICALLY APPLIED OR PLATED FINISHES		REQ'D	ITEM	PART NUMBER	DESCRIPTION	SYM.
LIST OF MATERIAL						
DECIMALS FRACTIONS .X ± .05 1/64 .XX ± .01 TOLS. ANGLES .XXX ± .005 0° - 30°		FINAL APPROVAL		DATE	THE TECHNICAL MATERIEL CORP. MAMARONECK, NEW YORK <i>SHAFT</i>	
MATERIAL		MECH. DES.	DATE			
FINISH		ELECT. DES.	DATE			
		CHECKED	DATE			
		DRAWN	DATE			
NOTICE TO PERSONS RECEIVING THIS DRAWING THE TECHNICAL MATERIEL CORPORATION claims proprietary right in the material disclosed hereon. This drawing is issued in confidence for engineering information only and may not be reproduced or used to manufacture anything shown hereon without permission from THE TECHNICAL MATERIEL CORPORATION to the user. This drawing is loaned for mutual assistance and is subject to recall at any time.				SIZE	CODE IDENT. NO.	DWG NO.
				A	82679	PM 8005
				SCALE	1 : 1	SHEET OF
						Ø