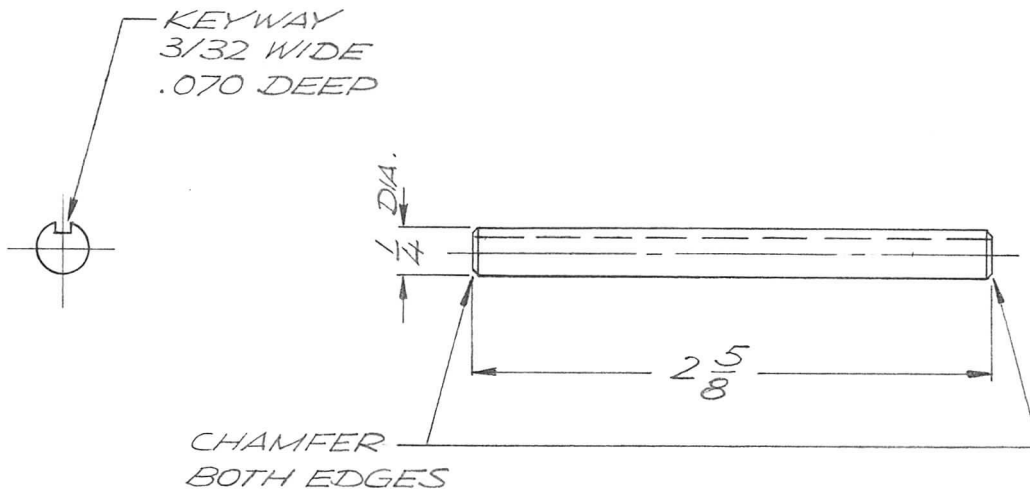


APPLICATION			REVISIONS						
QTY	MODEL USED ON	ASS'Y NO.	LTR	DESCRIPTION	DATE	E.M.N.NO	DRAFT	CHKD	APPD
1	SPT 3KVHF		X	EXP. RELEASE	11/26/68		K.H.		
1	AX 8081		Ø	ORIG. RELEASE FOR PROD.	126.68	Ø	R.G.		



UNLESS OTHERWISE SPECIFIED DIMENSIONS ARE IN INCHES AND INCLUDE CHEMICALLY APPLIED OR PLATED FINISHES		REQ'D	ITEM	PART NUMBER	DESCRIPTION	SYM.	
DECIMALS: .X ± .05, .XX ± .01, .XXX ± .005 FRACTIONS: 1/64 TOLS.: ANGLES: 0° - 30°		LIST OF MATERIAL					
MATERIAL 303 STAINLESS STEEL		FINAL APPROVAL		DATE	<b>THE TECHNICAL MATERIEL CORP.</b> MAMARONECK, NEW YORK  SHAFT, COUPLING		
FINISH		MECH. DES.		DATE			
		ELECT. DES.		DATE			
		CHECKED		DATE			
		DRAWN		DATE			
<b>NOTICE TO PERSONS RECEIVING THIS DRAWING</b> THE TECHNICAL MATERIEL CORPORATION claims proprietary right in the material disclosed hereon. This drawing is issued in confidence for engineering information only and may not be reproduced or used to manufacture anything shown hereon without permission from THE TECHNICAL MATERIEL CORPORATION to the user. This drawing is loaned for mutual assistance and is subject to recall at any time.				SIZE	CODE IDENT. NO.	DWG NO.	ISSUE
				A	82679	PM 8004	Ø
				SCALE 1:1	SHEET		OF