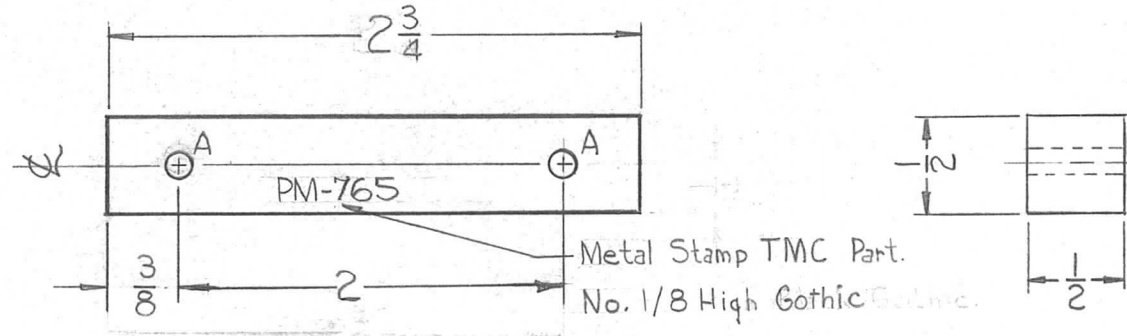


THE CONTENTS OF THIS DRAWING ARE THE EXCLUSIVE PROPERTY OF THE TECHNICAL MATERIEL CORP. ITS UNAUTHORIZED USE OR REPRODUCTION IN WHOLE OR IN PART IS STRICTLY FORBIDDEN.

REQ. PER UNIT	USED ON		
	MODEL	ASS'Y. NO.	DATE
1	HNF-1		7-26-62

PM-765

LEGEND		
HOLE	DESCRIPTION	REQ.
A	.141 DIA (#28 DRILL)	2



NOTICE TO PERSONS RECEIVING THIS DRAWING

THE TECHNICAL MATERIEL CORPORATION claims proprietary right in the material disclosed hereon. This drawing is issued in confidence for engineering information only and may not be reproduced or used to manufacture anything shown hereon without permission from THE TECHNICAL MATERIEL CORPORATION to the user. This drawing is loaned for mutual assistance and is subject to recall at any time.

Property of:  
THE TECHNICAL MATERIEL CORPORATION  
MAMARONECK, NEW YORK

REQ.	ITEM	PART NO.	GELLMAN	DESCRIPTION	SYMBOL	
		1/2 x 1/2 BAR		THE TECHNICAL MATERIEL CORP.		
		STOCK SIZE		MAMARONECK, NEW YORK		
		ALUMINUM		SPACER, BAR (HNF-1)		
		MATERIAL				
SYM	DESCRIPTION	DATE	CH. NO.	DRAFTS	CHECKER	ENG. APP.
UNLESS OTHERWISE SPECIFIED: DIMENSIONS ARE IN INCHES TOLERANCES ON FRAC. ± 1/64 DEC. ± .005 ANGLES ± 1/2°		SCALE: MAXIMUM ALLOWABLE TOLERANCES HAVE BEEN DETERMINED AND ANY DEVIATIONS WILL BE CAUSE FOR REJECTION. REMOVE ALL BURRS AND SHARP EDGES				
		2024-T3		GG	HQ	BP
		S404 YELLOW IRIDITE		DRAWN	CHECKED	FINAL APPROVAL
		FINISH & SPEC. NO.		ELEC. DES. APP.	MECH. DES. APP.	PM-765