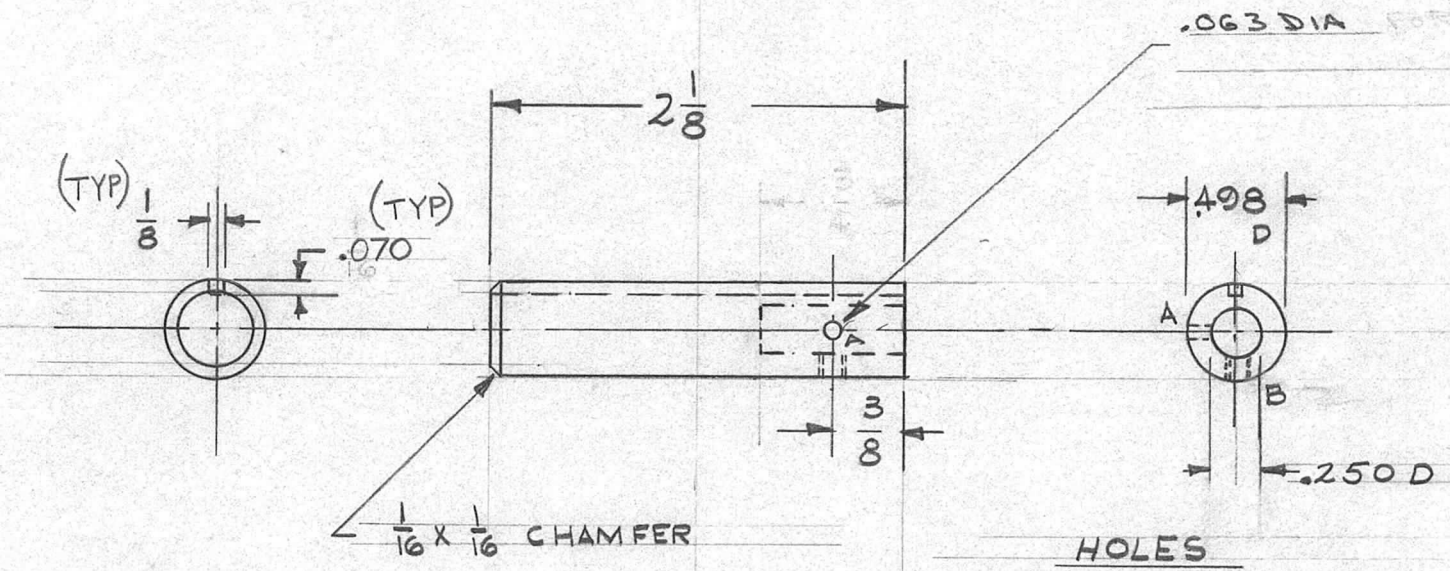


REQ. PER UNIT	USED ON		
	MODEL	ASS'Y. NO.	DATE
1	AT-101	GPT-40K	3-16-60
1	AT-103	GPT-40K(73)	10-23-61

PM-628 A



HOLES REQ.
 A ~ (.063) D REQ. 1
 B ~ DRILL & TAP FOR 6-32 1

ISSUE	ITEM	CHANGED FROM	DATE	CH. NO.	DRAFTS	CHECKER	ENG. APP.	REQ. ITEM	PART NO.	DESCRIPTION	SYMBOL		
A	2	DIM. $\frac{3}{4}$ DELETED	10/14/60	3198		JL	DB			THE TECHNICAL MATERIEL CORP. MAMARONECK, NEW YORK			
	1	DIM. $.070$ WAS $\frac{1}{16}$								SHAFT, ADAPTER, CAPACITOR			
TOLERANCES								SCALE:					
DEC. DIM. \pm FRAC. DIM. \pm ANGULAR DIM. \pm								MAXIMUM ALLOWABLE TOLERANCES HAVE BEEN DETERMINED AND ANY DEVIATIONS WILL BE CAUSE FOR REJECTION. REMOVE ALL BURRS AND SHARP EDGES					
								MATERIAL		DRAWN		CHECKED	
								STAINLESS STEEL		JL		DB	
								PASSIVATE				FINAL APPROVAL	
								FINISH & SPEC. NO.		ELEC. DES. APP		MECH. DES. APP	
												PM-628 A	