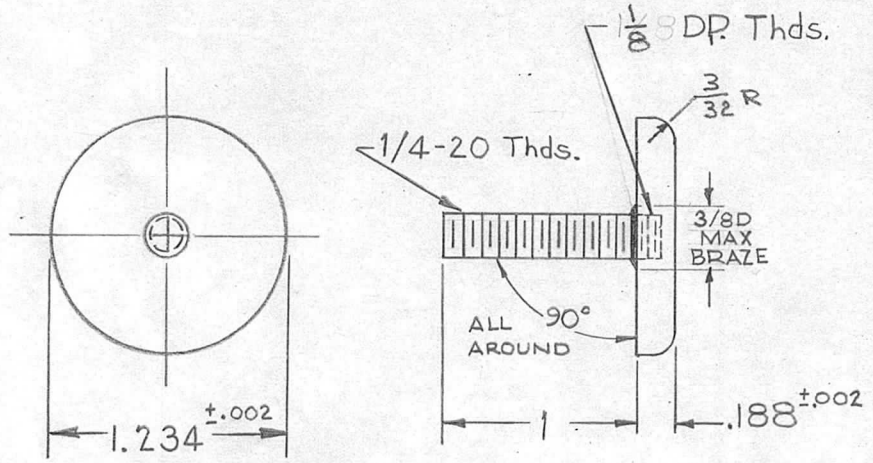
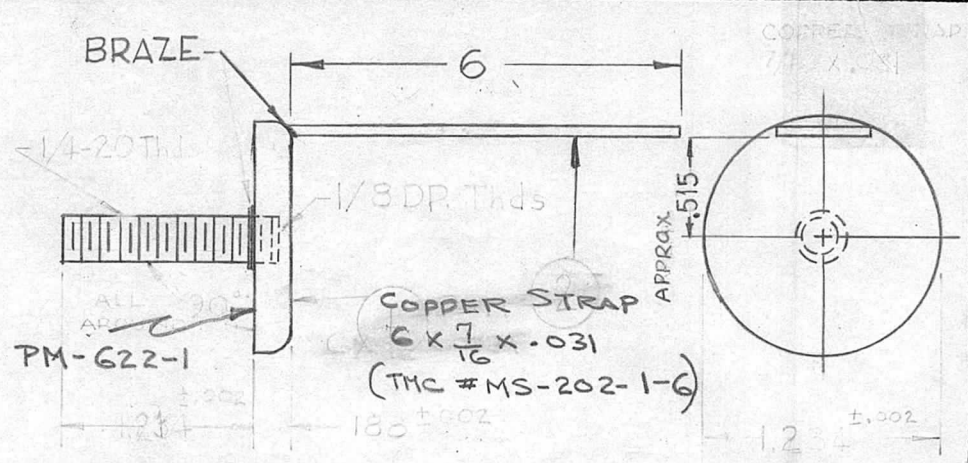


REQ. PER. UNIT	USED ON			PM-622 C
	MODEL	ASS'Y. NO.	DATE	
1	GPT-40KE		12-29-60	



PM-622-1 (w/o STRAP)



PM-622-2 (w/STRAP AS SHOWN)

1	2	MS-202-6	STRAP, COPPER
1	1	PM-622-1	CONTACT, SWITCH

C	1	on PM-622-2, dimension .515 was .671	5-5-61	4839	JPM	JCB	16
B	1	REDRAWN, REVISED PM-622-1 was PM-622	1/3/61	3883	Jde		OB
ISSUE	ITEM	CHANGED FROM	DATE	CH. NO.	DRAFTS	CHECKER	ENG. APP.
TOLERANCES			SCALE: FULL DO NOT SCALE				
DEC. DIM. ± FRAC. DIM. ± ANGULAR DIM. ±			MAXIMUM ALLOWABLE TOLERANCES HAVE BEEN DETERMINED AND ANY DEVIATIONS WILL BE CAUSE FOR REJECTION. REMOVE ALL BURRS AND SHARP EDGES				

REQ.	ITEM	PART NO.	DESCRIPTION	SYMBOL
			THE TECHNICAL MATERIEL CORP. MAMARONECK, NEW YORK	
			CONTACT, SWITCH, CAP ANTENNA TUNER	
			R. UZZO	OB
			DRAWN	CHECKED
			FINAL APPROVAL	
			ELEC. DES. APP	MECH. DES. APP
			PM-622	C