

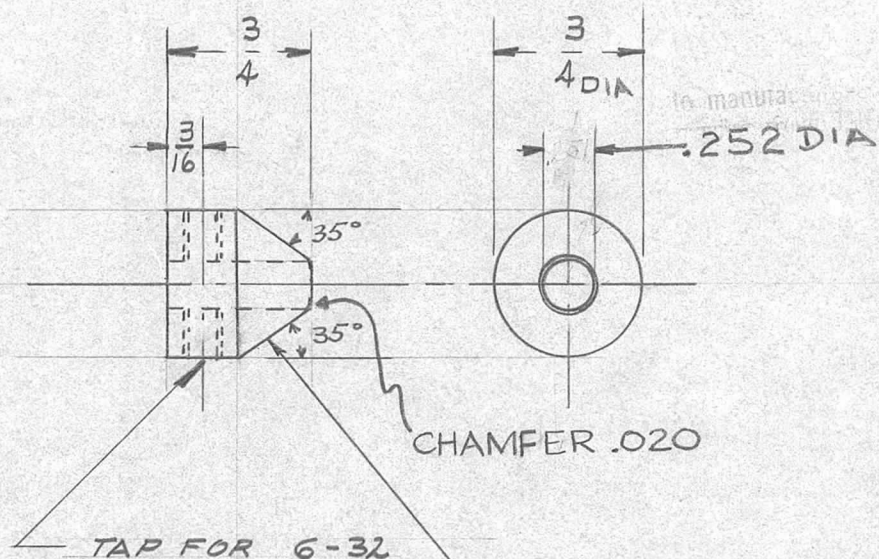
REQ. PER UNIT	USED ON			PM-528	B
	MODEL	ASS'Y. NO.	DATE		
2	GPT-10K		1-27-59		

NOTICE TO PERSONS RECEIVING THIS DRAWING

THE TECHNICAL MATERIEL CORPORATION claims proprietary right in the material disclosed hereon. This drawing is issued in confidence for engineering information only and may not be reproduced or used to manufacture anything shown hereon without permission from THE TECHNICAL MATERIEL CORPORATION to the user. This drawing is loaned for mutual assistance and is subject to recall at any time.

Property of:

THE TECHNICAL MATERIEL CORPORATION
MAMARONECK, NEW YORK



THIS SURFACE MUST BE
SMOOTH & FREE OF
MACHINING MARKS

ISSUE	ITEM	CHANGED FROM	DATE	CH. NO.	DRAFTS	CHECKER	ENG. APP.	REQ. ITEM	PART NO.	DESCRIPTION	SYMBOL	
								3/4 ROUND		THE TECHNICAL MATERIEL CORP. MAMARONECK, NEW YORK		
								STOCK SIZE				
B	1	MACHINING NOTE ADDED	5-20-63	9027				BRASS		ACTUATOR, LOCK DRAWER LOCK		
A	1	CHAMFER NOTE ADDED	1-12-60	1751				MATERIAL				
TOLERANCES			SCALE: FULL					DRAWN		CHECKED		FINAL APPROVAL
DEC. DIM. ±			MAXIMUM ALLOWABLE TOLERANCES HAVE BEEN DETERMINED AND ANY DEVIATIONS WILL BE CAUSE FOR REJECTION. REMOVE ALL BURRS AND SHARP EDGES					NICKEL PLATE		ELEC. DES. APP		PM-528
FRAC. DIM. ±								MECH. DES. APP				
ANGULAR DIM. ±												