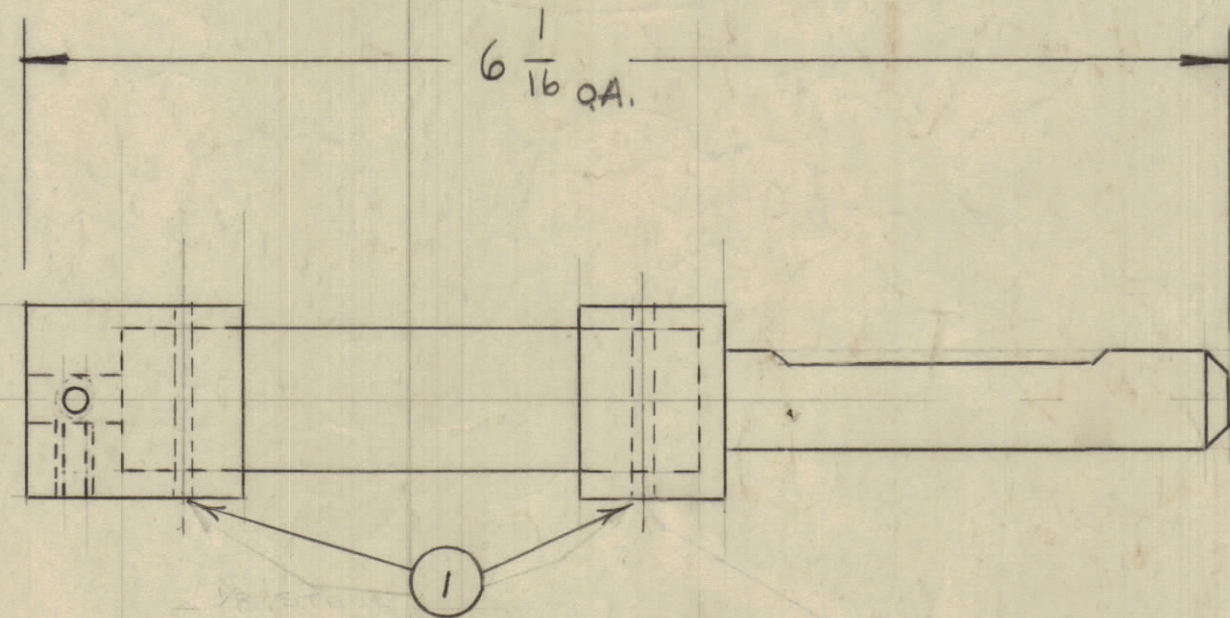
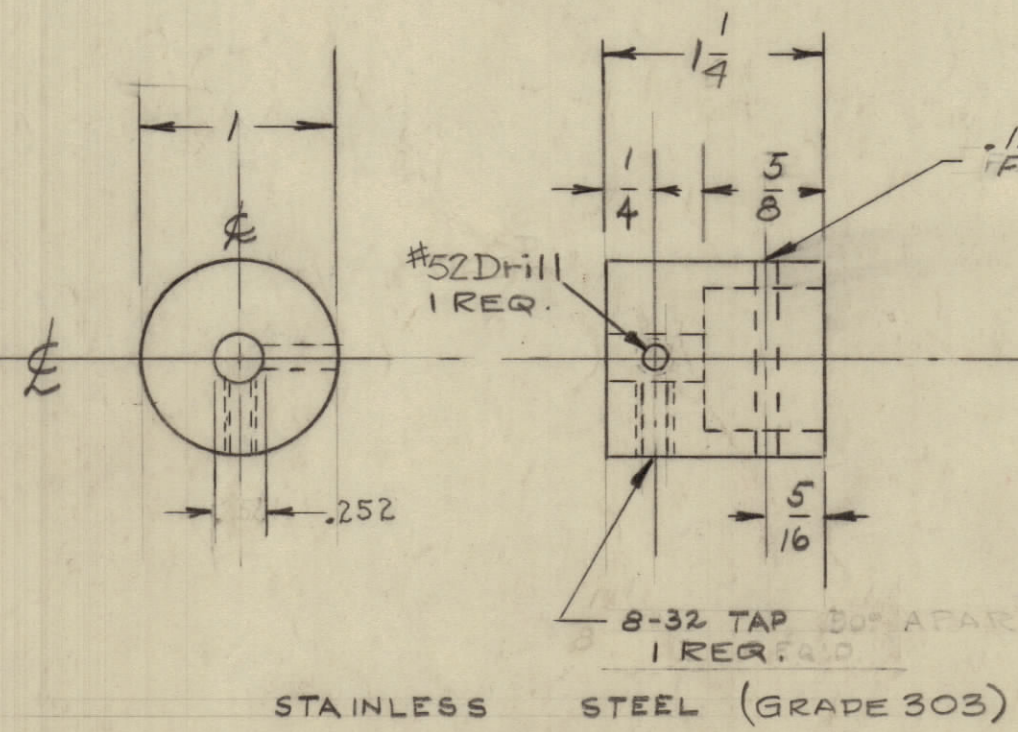


IF IT IS FOUND DESIRABLE TO CHANGE ANY TOLERANCE OR OTHER DETAIL SPECIFIED ON THIS DRAWING NOTIFY THE PURCHASER PROMPTLY.  
 MAXIMUM ALLOWABLE TOLERANCES HAVE BEEN DETERMINED AND DEVIATIONS WILL BE CAUSE FOR REJECTION. REMOVE ALL BURRS AND SHARP EDGES

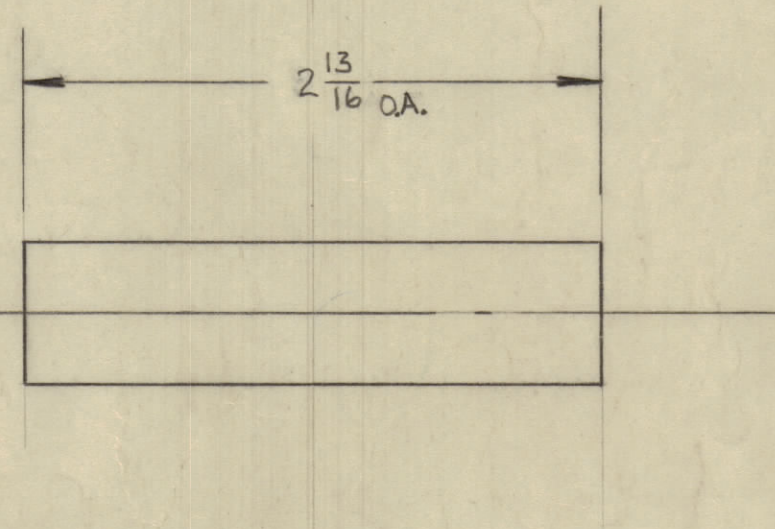


MELAMINE MUST BE PRESS FITTED INTO COLLARS AND THEN PIN WITH ITEM 1 AS SHOWN  
 PM524-4  
 COMPLETE ASS'Y



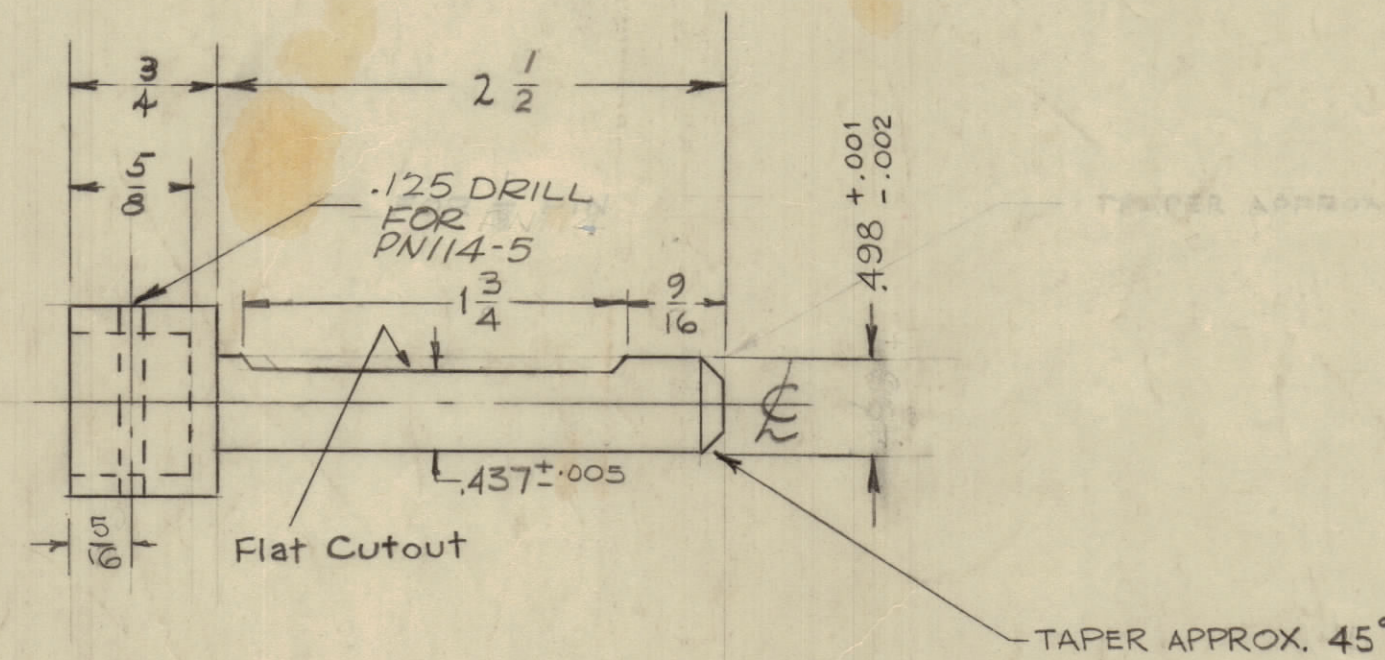
STAINLESS STEEL (GRADE 303)

PM524-1  
 FINISH- S104- PASSIVATE



3/4 DIA EPOXY ROD (G10) (310)

PM524-2  
 FINISH- S113 FUNGUS RESISTANT VARNISH



STAINLESS STEEL (GRADE 303)

PM524-3  
 FINISH- S104- PASSIVATE

NOTICE TO PERSONS RECEIVING THIS DRAWING

THE TECHNICAL MATERIEL CORPORATION claims proprietary right in the material disclosed hereon. This drawing is issued in confidence for engineering information only and may not be reproduced or used to manufacture anything shown hereon without permission from THE TECHNICAL MATERIEL CORPORATION to the user. This drawing is loaned for mutual assistance and is subject to recall at any time.

Property of:

THE TECHNICAL MATERIEL CORPORATION  
 MAMARONECK, NEW YORK

H	2	FINISH ADDED TO -1,2,3	9/19/50	14-789	RVA	9/16	MM
G	1	2 1/16 WAS 3 1/16 - 1/16 WAS 6 1/4	5/14/50	13769	RF	9/16	MM
F	1	800 MATL WAS MELAMINE	10-24-47	7526	RF	9/16	MM
E	1	ADD'D TAP TOLERANCE TO	7-1-52	6848	V.R.R.	9/16	MM
D	2	1 1/4 DIM. WAS 1 1/8	10-11-51	5695	LI	9/16	MM
C	1	2 1/2 DIM. WAS 2 5/8	12-1-51	1602	J	9/16	MM
B	1	Ø 1/16 WAS 1/2	10-1-51	1490	DM	9/16	MM
A	1	Ø 1/16 WAS 1 7/8	10-1-51	1490	DM	9/16	MM
A	1	#52 DRILL WAS .005 D. HOLE	10-1-51	1490	DM	9/16	MM
A	1	1 8-32 TAP DEL. - REPLACED BY .065 D. HOLE FOR PIN	12-27-51	1427	16	9/16	MM

NOTE  
 MELAMINE MUST BE PRESS FITTED INTO COLLARS AND THEN PIN WITH ITEM 1

2	GPT-10K	10K AM-102	21-102	1-3-50
REQ PER UNIT	MODEL	PROJECT NO.	ASS'Y. NO.	DATE
USED ON				

2	1	PN114-5	PIN GROOVED TAPER	
REQ. ITEM	PART NO.	DESCRIPTION	SYMBOL	
STOCK SIZE				
THE TECHNICAL MATERIEL CORP. MAMARONECK, NEW YORK				
AS NOTED				
SHAFT, CAPACITOR, INSULATED				
MATERIAL WEIGHT PER PC.				
TYPE & TEMPER				
DRAWN				
ELEC. DES. APP.				
MECH. DES. APP.				
HEAT TREAT. SPEC.				
CHECKED				
FINAL APPROVAL				
PM-524 H				

PM 524 H