

PM-441 B

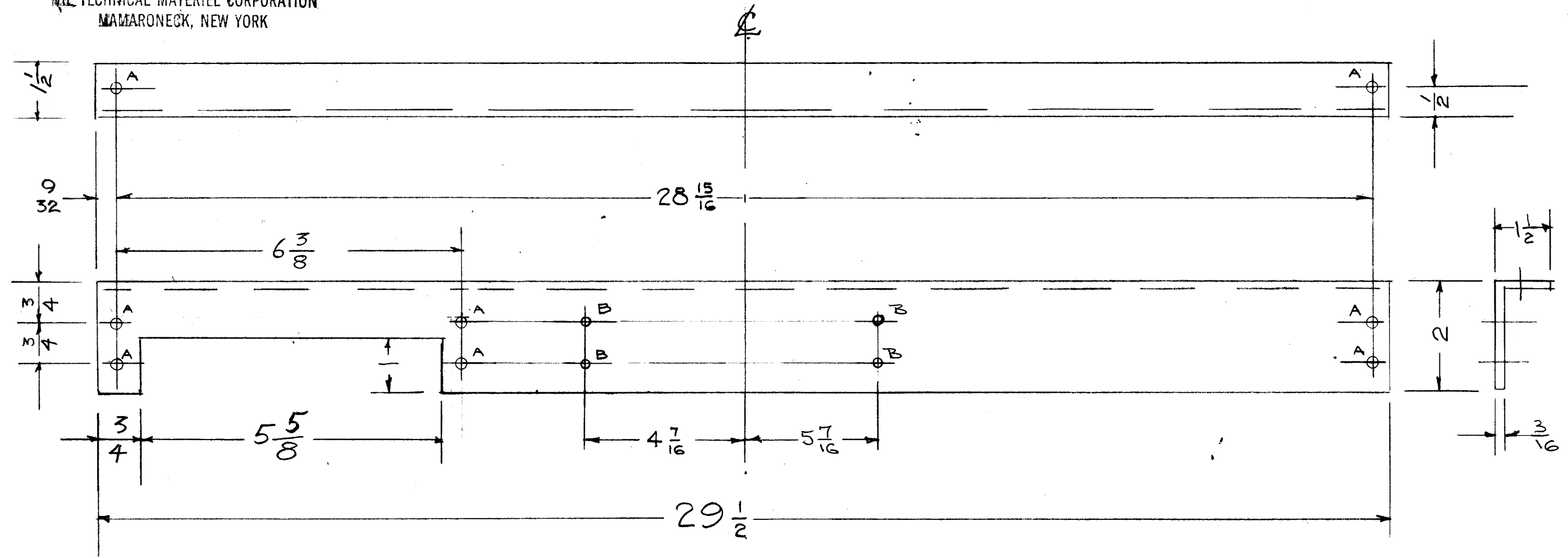
NOTICE TO ALL PERSONS RECEIVING THIS DRAWING

THE TECHNICAL MATERIEL CORPORATION claims proprietary right in the material disclosed hereon. This drawing is issued in confidence for engineering information only and may not be reproduced or used to manufacture anything shown hereon without permission from THE TECHNICAL MATERIEL CORPORATION to the user. This drawing is loaned for mutual assistance and is subject to recall at any time.

A - 13/64 (.203) 8 REQ.
 B - 11/64 (.171) 2 REQ.

Property of:

THE TECHNICAL MATERIEL CORPORATION
 MAMARONECK, NEW YORK



ISSUE	ITEM	CHANGED FROM	DATE	CH. NO.	DRAFTS	CHECKER	ENG. APP.
B	1	S-404 WAS S-101	12/15/59	1001	AB		EMN
A	1	Two "B" HOLES ADDED	5/13/58	402	hml		[Signature]

TOLERANCES: DEC. DIM. ±, FRAC. DIM. ± 1/64, ANGULAR DIM. ±

SCALE: MAXIMUM ALLOWABLE TOLERANCES HAVE BEEN DETERMINED AND ANY DEVIATIONS WILL BE CAUSE FOR REJECTION. REMOVE ALL BURRS AND SHARP EDGES

REQ. PER UNIT	MODEL	PROJECT NO.	ASS'Y. NO.	DATE
1	A-1279		A-1279	

USED ON

REQ. ITEM	PART NO.	DESCRIPTION	SYMBOL
2 X 1 1/2 X 3/16		THE TECHNICAL MATERIEL CORP. MAMARONECK, NEW YORK	
STRUCTURAL ALUMINUM		REAR STIFFENER	
6061-T6		A-1279 P/O GPT-750-D	
TYPE & TEMPER	HEAT TREAT. SPEC.	DRAWN	CHECKED
S-404 YELLOW IRIDITE			
FINISH & SPEC. NO.	ELEC. DES. APP.	MECH. DES. APP.	
			PM-441 B