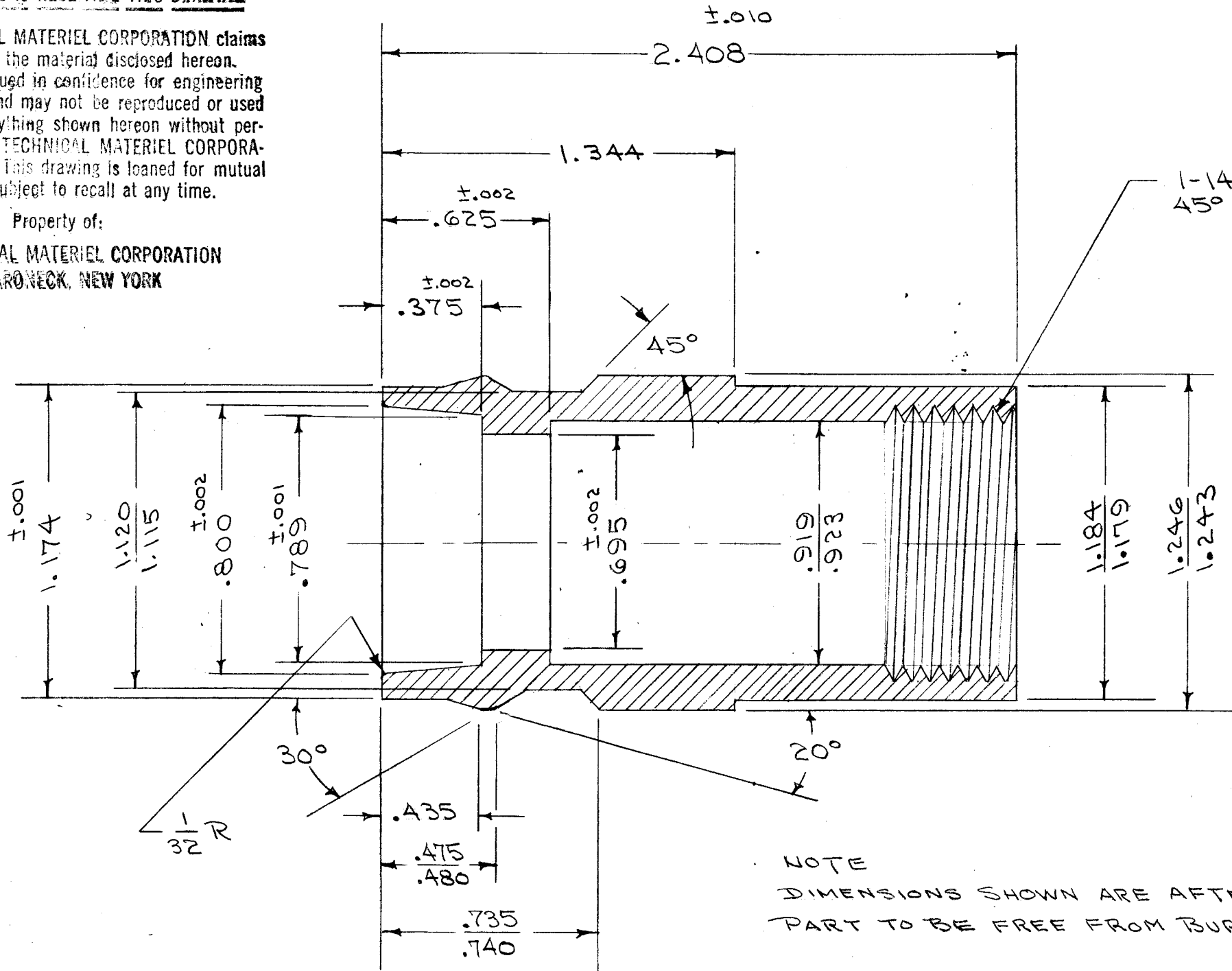


PM-384

NOTICE TO PERSONS RECEIVING THIS DRAWING

THE TECHNICAL MATERIEL CORPORATION claims proprietary right in the material disclosed hereon. This drawing is issued in confidence for engineering information only and may not be reproduced or used to manufacture anything shown hereon without permission from THE TECHNICAL MATERIEL CORPORATION to the user. This drawing is loaned for mutual assistance and is subject to recall at any time.

Property of:
THE TECHNICAL MATERIEL CORPORATION
 MAMARONECK, NEW YORK



1-14 NF-2 THREAD x 1/2 DEEP
 45° CHAMFER FIRST THREAD

NOTE
 DIMENSIONS SHOWN ARE AFTER PLATING.
 PART TO BE FREE FROM BURRS AND CHIPS.

ISSUE	ITEM	CHANGED FROM	DATE	CH. NO.	DRAFTS	CHECKER	ENG. APP.
TOLERANCES			SCALE:				
DEC. DIM. ± .005			MAXIMUM ALLOWABLE TOLERANCES HAVE BEEN DETERMINED AND ANY DEVIATIONS WILL BE CAUSE FOR REJECTION. REMOVE ALL BURRS AND SHARP EDGES				
FRAC. DIM. ±							
ANGULAR DIM. ± 0° - 30'							

1	JJ-134			12-15-55
REQ. PER UNIT	MODEL	PROJECT NO.	ASSY. NO.	DATE
USED ON				

REQ. ITEM	PART NO.	DESCRIPTION	SYMBOL
		THE TECHNICAL MATERIEL CORP. MAMARONECK, NEW YORK	
STOCK SIZE		BODY	
MATERIAL			
1/2 HARD		CDD 12/15/55	
TYPE & TEMPER	HEAT TREAT. SPEC.	DRAWN	CHECKED
SILVER PLATED	.0002 MIN.		
FINISH & SPEC. NO.	ELEC. DES. APP.	MECH. DES. APP.	PM-384