

IF IT IS FOUND DESIRABLE TO CHANGE ANY TOLERANCE OR OTHER DETAIL SPECIFIED ON THIS DRAWING NOTIFY THE PURCHASER PROMPTLY.

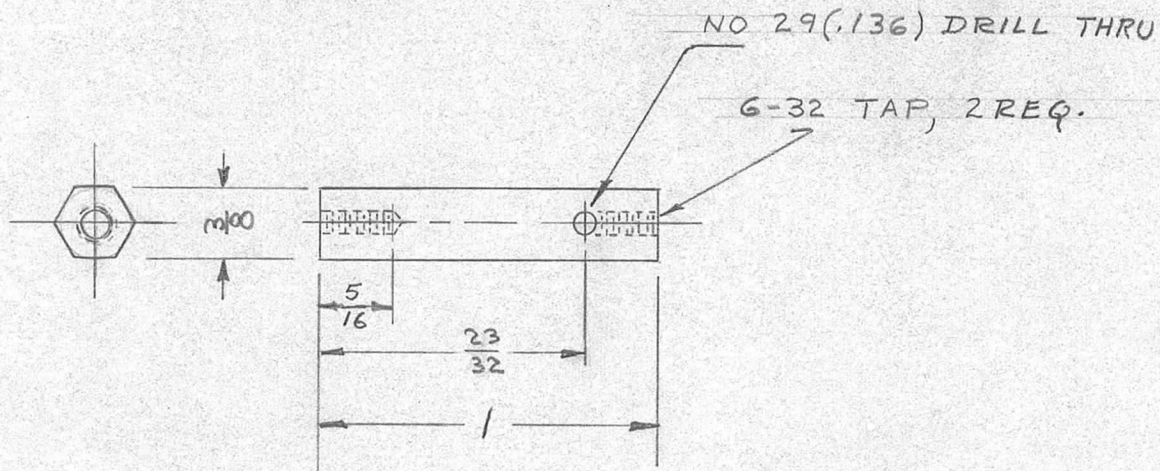
PM-230 A

MAXIMUM ALLOWABLE TOLERANCES HAVE BEEN DETERMINED AND DEVIATIONS WILL BE CAUSE FOR REJECTION. REMOVE ALL BURRS AND SHARP EDGES

RELEASED

USED ON

MODEL	PROJECT NO.	ASS'Y. NO.	DATE
DAC-1	180	A-455	4-30-53
A-1125		A-1219	1/20/56
TU-2			8-21-59



REQ.	ITEM	PART NO.	DESCRIPTION	SYMBOL
		3/8 HEX ROD.	THE TECHNICAL MATERIEL CORP. MAMARONECK, NEW YORK	
		STOCK SIZE		
		BRASS	POST	
		MATERIAL	WEIGHT PER PC.	
		TYPE & TEMPER	JAD 5/5/53	
			DRAWN	ELEC. DES. APP. MECH. DES. APP.
			JAD	
		HEAT TREAT. SPEC.	CHECKED	FINAL APPROVAL
		S-105 CADMIUM PLATE		PM-230 A
		FINISH & SPEC. NO.		

ISSUE	ITEM	CHANGED FROM	DATE	CN. NO.	DRAFTS	CHECKER	ENG. APP.
A	1	ROD WAS ROUND	4/21/53	1	ewd	JAD	ewd

TOLERANCES	SCALE
DEC. DIM. ± FRAC. DIM. ± ANGULAR DIM. ±	1/16"

DRILL, PUNCH, COMMERCIAL STOCK SIZES AND MANUFACTURERS TOLERANCES ARE NOT INCLUDED.