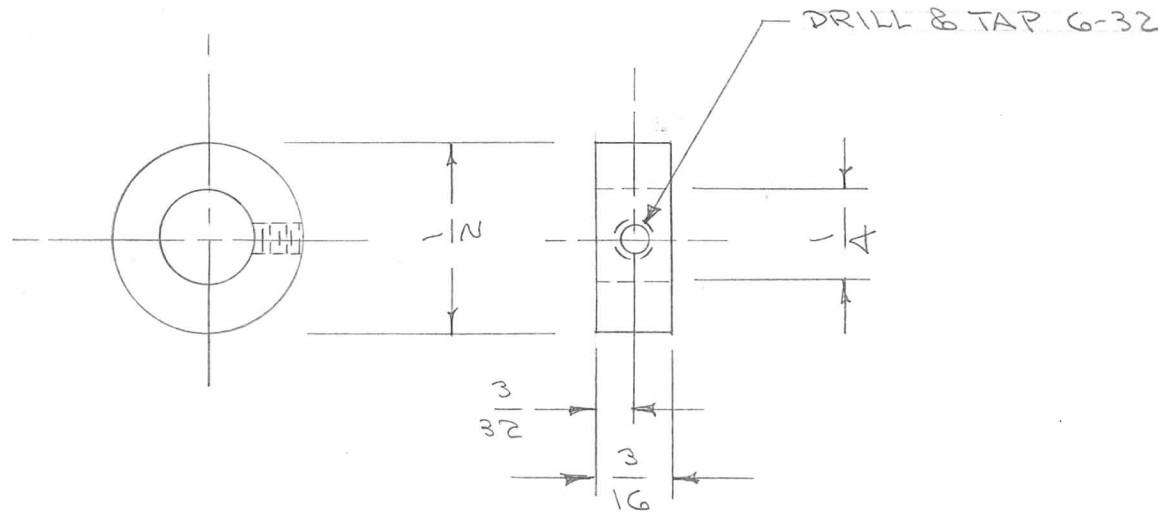


IF IT IS FOUND DESIRABLE TO CHANGE ANY TOLERANCE OR OTHER DETAIL SPECIFIED ON THIS DRAWING NOTIFY THE PURCHASER PROMPTLY.

PM-210

MAXIMUM ALLOWABLE TOLERANCES HAVE BEEN DETERMINED AND DEVIATIONS WILL BE CAUSE FOR REJECTION. REMOVE ALL BURRS AND SHARP EDGES

REQ. PER UNIT	USED ON			
	MODEL	PROJECT NO.	ASS'Y. NO.	DATE
1	PMO-VOX		A-420	8/31/55



REQ.	ITEM	PART NO.	DESCRIPTION	SYMBOL
	1/2" ROD.		THE TECHNICAL MATERIEL CORP.	
	STOCK SIZE		MAMARONECK. NEW YORK	
	BRASS	#	SHAFT LOCK, HELICAL GEAR	
	MATERIAL	WEIGHT PER PC.	VOX-PMO	
	FREE TURNING			
	TYPE & TEMPER			
			DRAWN	ELEC. DES. APP.
			CHECKED	FINAL APPROVAL
	HEAT TREAT. SPEC.			
	S-105 CAD PLATE			
	FINISH & SPEC. NO.			

#	ISSUE	ITEM	CHANGED FROM	DATE	CN. NO.	DRAFTS	CHECKER	ENG. APP.
			REDRAWN	8/31/55				

TOLERANCES		SCALE
ALL OTHERS	DEC. DIM. ± FRAC. DIM. ± 1/64 ANGULAR DIM. ±	DRILL, PUNCH, COMMERCIAL STOCK SIZES AND MANUFACTURERS TOLERANCES ARE NOT INCLUDED.