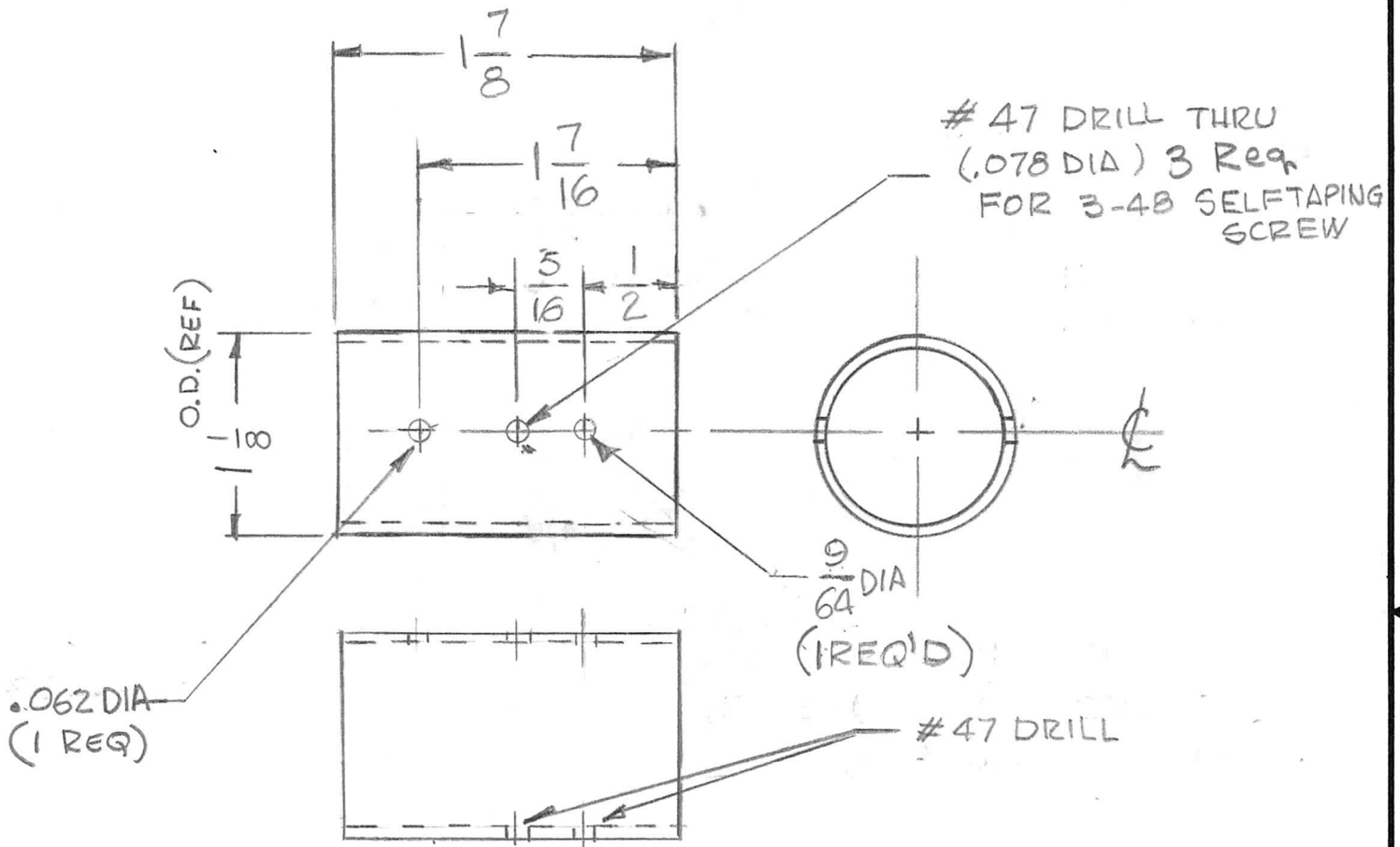


APPLICATION			REVISIONS						
QTY	MODEL USED ON	ASS'Y NO.	LTR	DESCRIPTION	DATE	E.M.N.NO	DRAFT	CHKD	APPD
2	RW139		X	EXPERIMENTAL RELEASE	8-28-81	~			
			XI	ONE HOLE RELOCATED & TWO ADDED - DIM. 1 7/8 WAS 1 1/4	10/20/81	~	G.D.L		
			Ø	ORIGINAL RELEASE	11-11-81	~			



USE TU104-L-18-C-1.25 AS BASE MATERIAL

UNLESS OTHERWISE SPECIFIED DIMENSIONS ARE IN INCHES AND INCLUDE CHEMICALLY APPLIED OR PLATED FINISHES		REQ'D	ITEM	PART NUMBER	DESCRIPTION	SYM.		
LIST OF MATERIAL								
DECIMALS: .X ± .05, .XX ± .01, .XXX ± .005 FRACTIONS: 1/64 TOLS.: ANGLES 0° - 30°		FINAL APPROVAL <i>[Signature]</i>		DATE 11/19/81	<b>THE TECHNICAL MATERIEL CORP.</b> MAMARONECK, NEW YORK  <b>CONTACTS, TERMINAL</b>			
MATERIAL SEE TU104		MECH. DES.		DATE				
FINISH SEE TU104		ELECT. DES.		DATE				
		CHECKED		DATE				
		DRAWN <i>[Signature]</i>		DATE 8-28-81				
NOTICE TO PERSONS RECEIVING THIS DRAWING THE TECHNICAL MATERIEL CORPORATION claims proprietary right in the material disclosed hereon. This drawing is issued in confidence for engineering information only and may not be reproduced or used to manufacture anything shown hereon without permission from THE TECHNICAL MATERIEL CORPORATION to the user. This drawing is loaned for mutual assistance and is subject to recall at any time.					SIZE A	CODE IDENT. NO. 82679	DWG NO. PM1606	ISSUE Ø
SCALE				SHEET		OF		