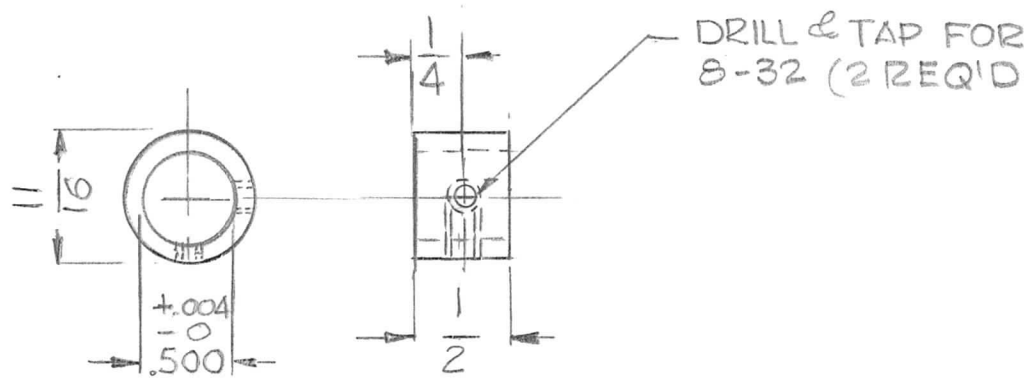


APPLICATION				REVISIONS						
QTY	MODEL USED ON	ASS'Y NO.	LTR	DESCRIPTION	DATE	E.M.N.NO	DRAFT	CHKD	APPD	
1	HFL-10K REV B	AXE04	Ø	ORIGINAL RELEASE	10-10-80	H	dw			



UNLESS OTHERWISE SPECIFIED DIMENSIONS ARE IN INCHES AND INCLUDE CHEMICALLY APPLIED OR PLATED FINISHES		REQ'D	ITEM	PART NUMBER	DESCRIPTION	SYM.		
LIST OF MATERIAL								
DECIMALS: .X ± .05, .XX ± .01, .XXX ± .005 FRACTIONS: 1/64 TOLS.: ANGLES 0° - 30'		FINAL APPROVAL <i>[Signature]</i>		DATE	<b>THE TECHNICAL MATERIEL CORP.</b> MAMARONECK, NEW YORK  <b>COLLAR, SHAFT</b>			
MATERIAL 11/16 ROD BRASS-		MECH. DES.		DATE				
FINISH S 245		ELECT. DES.		DATE				
SILVER PLATE		CHECKED		DATE				
		DRAWN G.D.L		DATE 8-11-80				
NOTICE TO PERSONS RECEIVING THIS DRAWING THE TECHNICAL MATERIEL CORPORATION claims proprietary right in the material disclosed hereon. This drawing is issued in confidence for engineering information only and may not be reproduced or used to manufacture anything shown hereon without permission from THE TECHNICAL MATERIEL CORPORATION to the user. This drawing is loaned for mutual assistance and is subject to recall at any time.					SIZE A	CODE IDENT. NO. 82679	DWG NO. PM 1605	ISSUE Ø
SCALE 1:1				SHEET		OF		