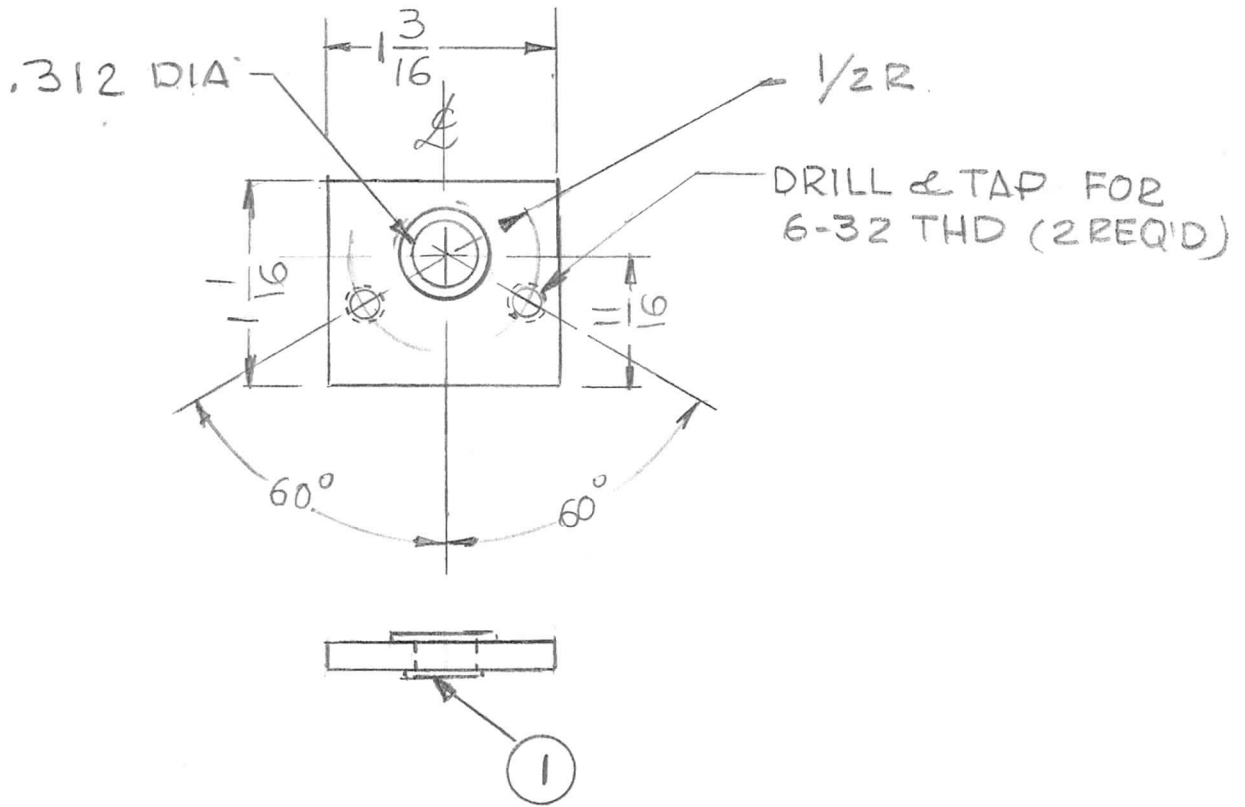


APPLICATION			REVISIONS						
QTY	MODEL USED ON	ASS'Y NO.	LTR	DESCRIPTION	DATE	E.M.N.NO	DRAFT	CHKD	APPD
1	GPT-750/E5		Ø	ORIGINAL RELEASE	8-8-80		dw		



REQ'D	ITEM	PART NUMBER	DESCRIPTION	SYM.
1	1	BB 117-6	BEARING, NYLON	

LIST OF MATERIAL			
UNLESS OTHERWISE SPECIFIED DIMENSIONS ARE IN INCHES AND INCLUDE CHEMICALLY APPLIED OR PLATED FINISHES		THE TECHNICAL MATERIEL CORP. MAMARONECK, NEW YORK	
DECIMALS .X ± .05 .XX ± .01 .XXX ± .005	FRACTIONS 1/64 ANGLES 0° - 30'	FINAL APPROVAL <i>GD</i>	DATE
MATERIAL <i>1/8 THK ALUM. 5052-H32</i>	MECH. DES.	DATE	PLATE, ADAPTER
FINISH <i>S404</i>	ELECT. DES.	DATE	
YEL. IRIDITE	CHECKED	DATE	
	DRAWN <i>G.D.L</i>	DATE <i>5-2-780</i>	

SIZE	CODE IDENT. NO.	DWG NO.	ISSUE
A	82679	PM 1604	Ø
SCALE 1:1		SHEET	OF