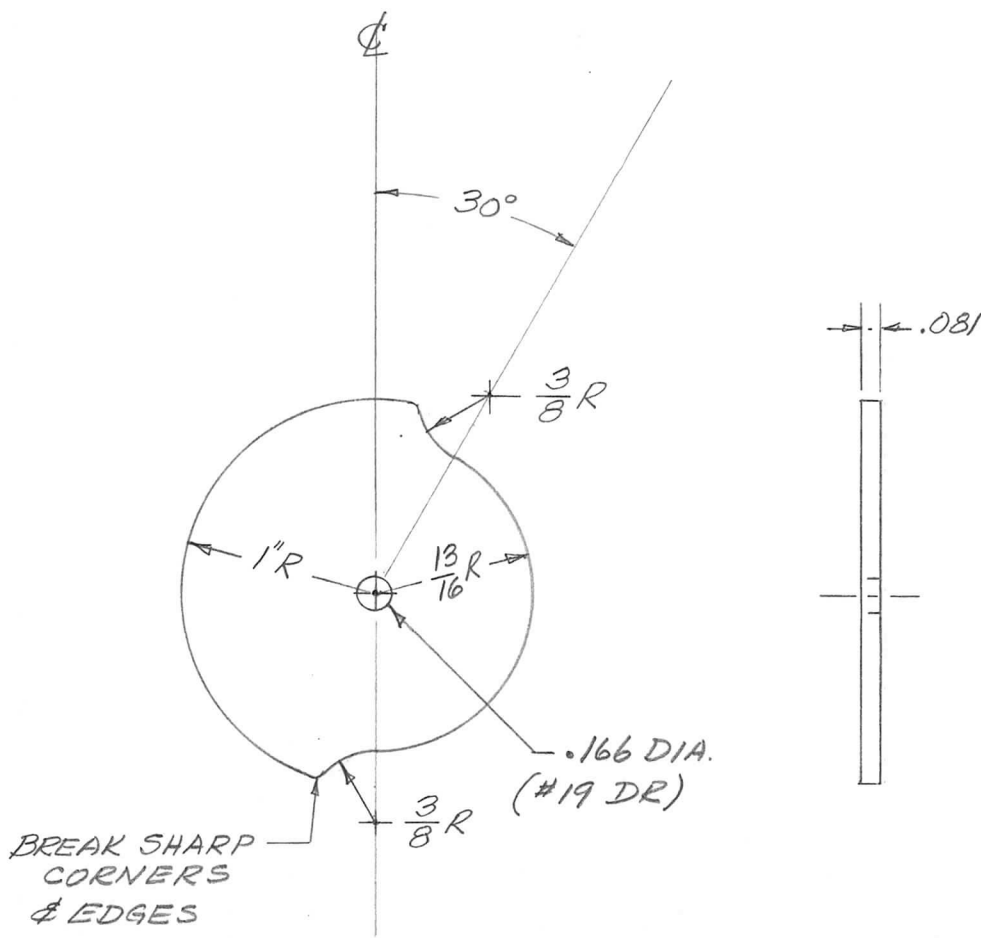


APPLICATION			REVISIONS							
QTY	MODEL USED ON	ASS'Y NO.	LTR	DESCRIPTION	DATE	E.M.N.NO	DRAFT	CHKD	APPD	
1	GPTR10K()	AF109	X,	EXPER. RELEASE	9/24/69					
			Ø	ORIGINAL RELEASE	5/3/73			C.S.		



<small>UNLESS OTHERWISE SPECIFIED DIMENSIONS ARE IN INCHES AND INCLUDE CHEMICALLY APPLIED OR PLATED FINISHES</small> <small>DECIMALS .X ± .05 .XX ± .01 .XXX ± .005</small> <small>FRACTIONS 1/64 ANGLES 0° -30'</small> MATERIAL .081 ALUM. 5052-H32 FINISH S 404 YELLOW IRIDITE	REQ'D	ITEM	PART NUMBER	DESCRIPTION	SYM.		
	LIST OF MATERIAL						
	FINAL APPROVAL	J. ANGER		DATE	9/24/69	THE TECHNICAL MATERIEL CORP. MAMARONECK, NEW YORK <i>CAM, MICRO SWITCH</i>	
	MECH. DES.	J. ANGER		DATE	9/24/69		
	ELECT. DES.			DATE			
CHECKED			DATE				
DRAWN	J. ANGER		DATE	9/24/69			
<small>NOTICE TO PERSONS RECEIVING THIS DRAWING</small> <small>THE TECHNICAL MATERIEL CORPORATION claims proprietary right in the material disclosed hereon. This drawing is issued in confidence for engineering information only and may not be reproduced or used to manufacture anything shown hereon without permission from THE TECHNICAL MATERIEL CORPORATION to the user. This drawing is loaned for mutual assistance and is subject to recall at any time.</small>				SIZE	CODE IDENT. NO.	DWG NO.	ISSUE
				A	82679	PM1428	Ø
				SCALE	1:1	SHEET	OF