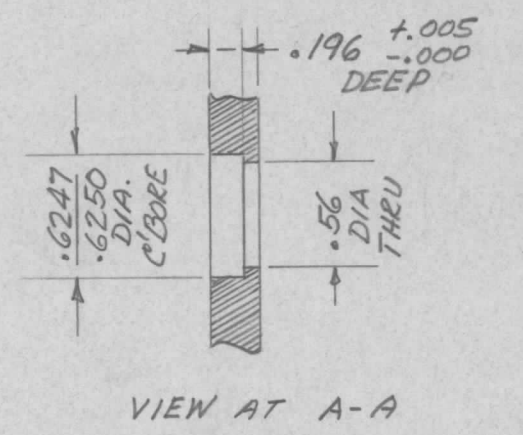
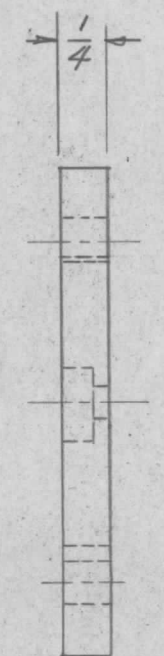
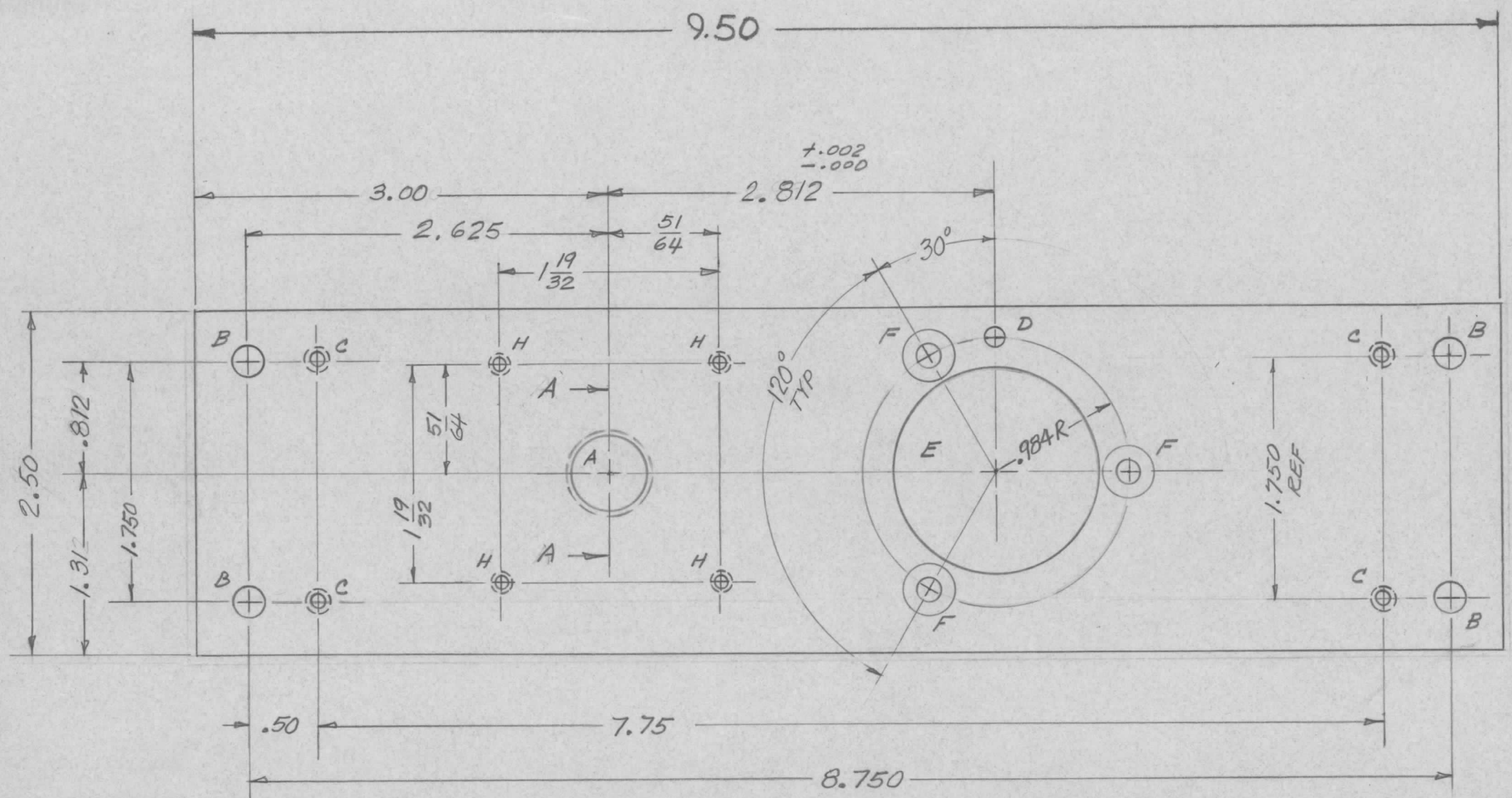


REVISIONS						
ZONE	LTR	DESCRIPTION	DATE	E.M.N.NO	DRAFT	CHKD APPD
	X	EXPER RELEASE			JA.	
	Ø	ORIGINAL RELEASE	5/4/73		CS	



NOTE:
 .171 DIA HOLE C'BORE $\frac{11}{32}$ DIA X $\frac{5}{32}$ DEEP
 (3 HOLES ON .984 RADIUS)

HOLE	DESCRIPTION	REQ'D.
A	AS SHOWN AT VIEW A-A	1
B	$\frac{7}{32}$ DIA	4
C	DRILL & TAP FOR 8-32 SCR.	4
D	.128 DIA.	1
E	1.5005 TO 1.5010 DIA	1
F	SEE NOTE	3
H	DRILL & TAP FOR 6-32 SCR.	4

1	GPTR 10K ()	AF 109
QTY / UNIT	MODEL USED ON	ASS'Y NO.
APPLICATION		
CODE		

NOTICE TO PERSONS RECEIVING THIS DRAWING
 THE TECHNICAL MATERIEL CORPORATION claims proprietary right in the material disclosed hereon. This drawing is issued in confidence for engineering information only and may not be reproduced or used to manufacture anything shown hereon without permission from THE TECHNICAL MATERIEL CORPORATION to the user. This drawing is loaned for mutual assistance and is subject to recall at any time.

UNLESS OTHERWISE SPECIFIED DIMENSIONS ARE IN INCHES AND INCLUDE CHEMICALLY APPLIED OR PLATED FINISHES

DECIMALS	FRACTIONS
.X ± .05	1/64
.XX ± .01	TOLS. ANGLES
.XXX ± .005	0° - 30'

MATERIAL 2024-T3
 1/4 THK. ALUMINUM
 FINISH S404
 YELLOW IRIDITE

REQ'D	ITEM	PART NUMBER	DESCRIPTION	SYM.
LIST OF MATERIAL				
THE TECHNICAL MATERIEL CORP. MAMARONECK, NEW YORK				
PANEL, MOTOR MOUNTING				
SIZE	CODE IDENT. NO.	DWG NO.	ISSUE	
B	82679	PM1422	Ø	
SCALE 1:1			SHEET 1 OF 1	