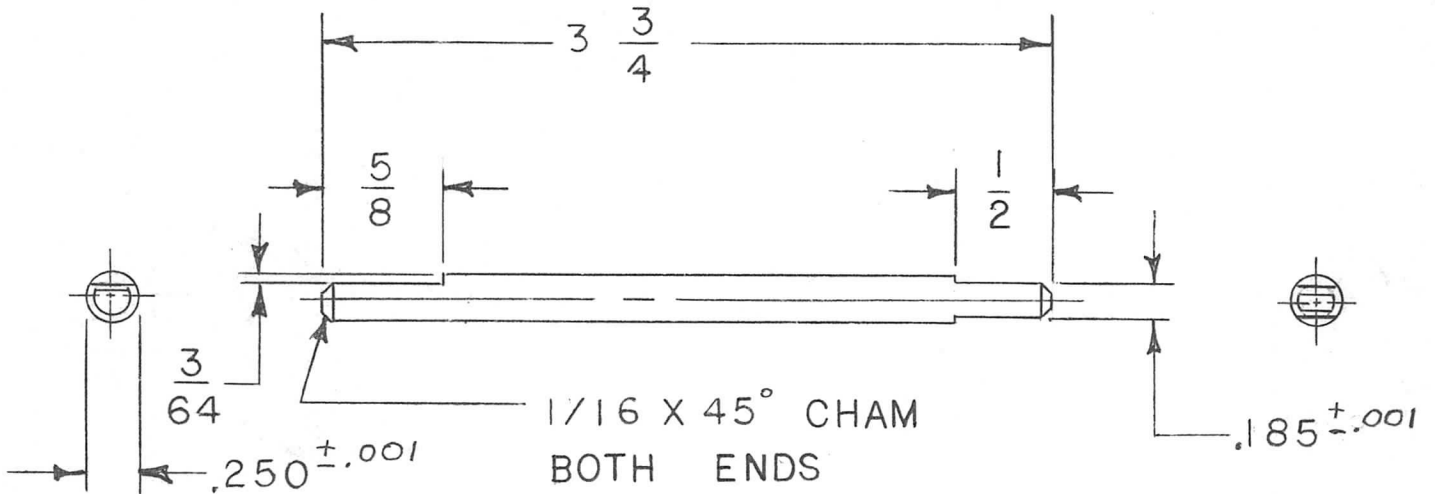


APPLICATION			REVISIONS						
QTY	MODEL USED ON	ASS'Y NO.	LTR	DESCRIPTION	DATE	E.M.N.NO	DRAFT	CHKD	APPD
1	TLAM IK	ASI47	X	EXP RELEASE	2-2-71		RF		
			Ø	ORIGINAL RELEASE	2/3/71		W		REB



UNLESS OTHERWISE SPECIFIED DIMENSIONS ARE IN INCHES AND INCLUDE CHEMICALLY APPLIED OR PLATED FINISHES		REQ'D	ITEM	PART NUMBER	DESCRIPTION	SYM.	
DECIMALS .X ± .05 .XX ± .01 .XXX ± .005		F. BUDETTI		LIST OF MATERIAL			
FRACTIONS 1/64 TOLS. ANGLES 0° - 30'		FINAL APPROVAL	<i>[Signature]</i>	DATE	THE TECHNICAL MATERIEL CORP. MAMARONECK, NEW YORK		
MATERIAL #303 STAINLESS STL		MECH. DES.	<i>[Signature]</i>	DATE	SHAFT, BANDSWITCH		
FINISH PASSIVATE-SIO 4		ELECT. DES.		DATE			
		CHECKED		DATE			
		DRAWN	<i>R. Kolarow</i>	DATE	2-2-71		
NOTICE TO PERSONS RECEIVING THIS DRAWING THE TECHNICAL MATERIEL CORPORATION claims proprietary right in the material disclosed hereon. This drawing is issued in confidence for engineering information only and may not be reproduced or used to manufacture anything shown hereon without permission from THE TECHNICAL MATERIEL CORPORATION to the user. This drawing is loaned for mutual assistance and is subject to recall at any time.		SIZE	A	CODE IDENT. NO.	82679	DWG NO.	PM 1390
		SCALE	/	SHEET		OF	
		ISSUE					<i>[Signature]</i>