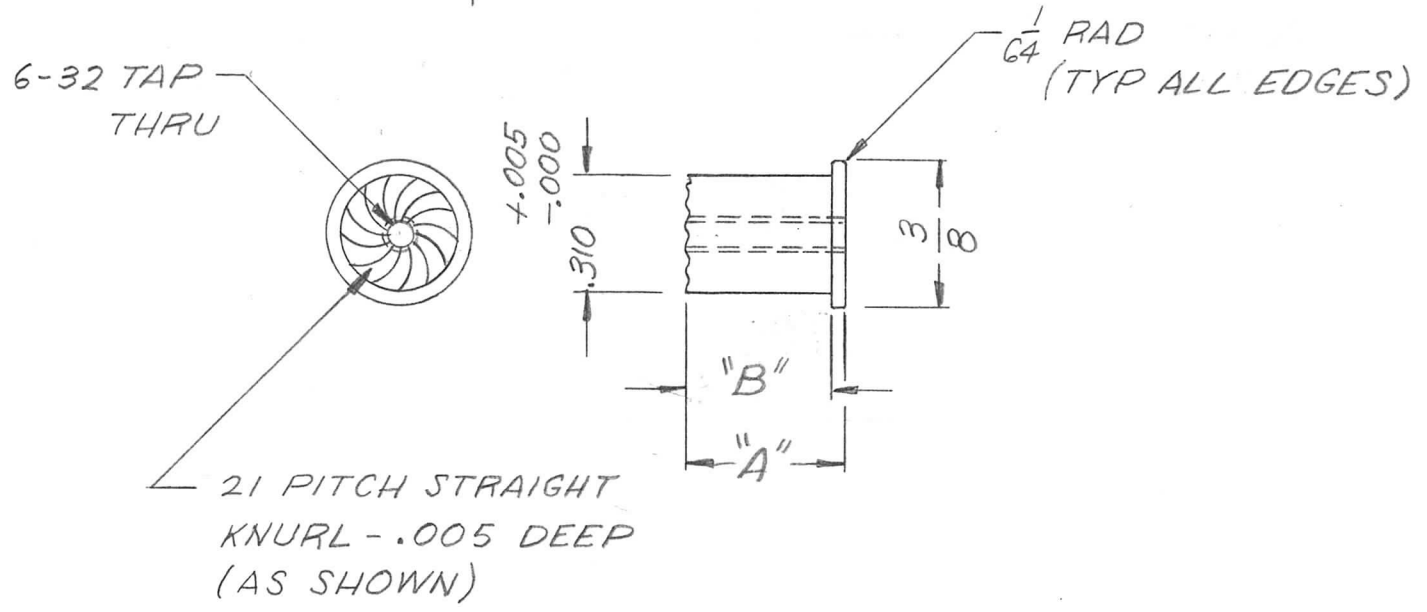


APPLICATION			REVISIONS							
QTY	MODEL USED ON	ASS'Y NO.	LTR	DESCRIPTION	DATE	E.M.N.NO	DRAFT	CHKD	APPD	
1	TLAA-2.5K		X	EXPERIMENTAL RELEASE	3-9-67		UFD	JEL	RB	
1	TLAA-1K	AS160	Ø	ORIG RELEASE FOR PROD	3/31/67	Ø	CV			
			A	ON DICT. DIM "B" WAS .375 & A WAS 13/32 - CHART ADD.	4-28-76	21360	GDL	CL	CL	

TMC PART NO.	DIM.		QTY
	"A"	"B"	
PM1336-	13/32	.375	1
PM1336-2	11/32	.312	1



FINISH:
 S245 SILVER PLATE
 S423 SILVER KOTE

MATERIAL:
 3/8 DIA ALUMINUM (2024-T4)

UNLESS OTHERWISE SPECIFIED DIMENSIONS ARE IN INCHES AND INCLUDE CHEMICALLY APPLIED OR PLATED FINISHES		REQ'D	ITEM	PART NUMBER	DESCRIPTION	SYM.
DECIMALS .X ± .05 .XX ± .01 .XXX ± .005		F. BUDETTI		LIST OF MATERIAL		
FRACTIONS 1/64 TOLS. ANGLES 0° - 30°		FINAL APPROVAL	DATE	THE TECHNICAL MATERIEL CORP. MAMARONECK, NEW YORK		
MATERIAL SEE NOTE	MECH. DES.	DATE	CONTACT, SHOULDER, ELEC.			
FINISH SEE NOTE	ELECT. DES.	DATE				
	CHECKED	DATE				
	DRAWN	DATE				
NOTICE TO PERSONS RECEIVING THIS DRAWING THE TECHNICAL MATERIEL CORPORATION claims proprietary right in the material disclosed hereon. This drawing is issued in confidence for engineering information only and may not be reproduced or used to manufacture anything shown hereon without permission from THE TECHNICAL MATERIEL CORPORATION to the user. This drawing is loaned for mutual assistance and is subject to recall at any time.		SIZE A	CODE IDENT. NO. 82679	DWG NO. PM1336	ISSUE A	
SCALE		SHEET		OF		