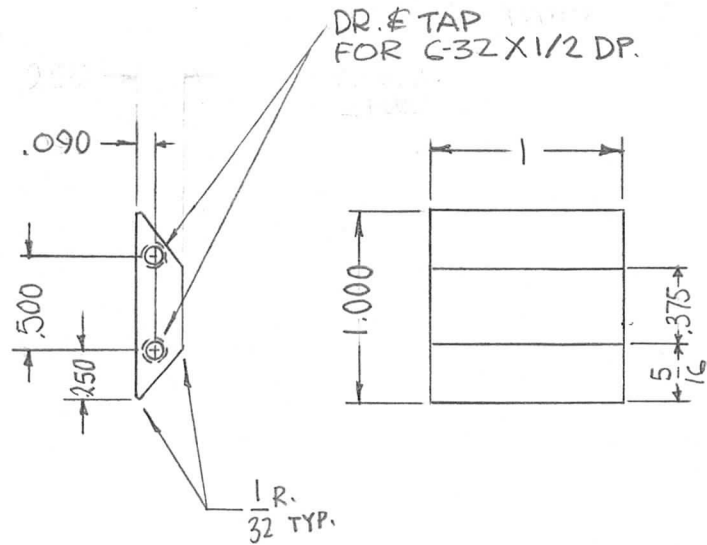


REQ. PER UNIT	USED ON			PM1281	Ø
	MODEL	ASS'Y. NO.	DATE		
1	TST-10K		8-9-65		



REQ.	ITEM	PART NO.	F. BUDETTI DESCRIPTION				SYMBOL
		.250 THICK	THE TECHNICAL MATERIEL CORP.				
		STOCK SIZE	MAMARONECK, NEW YORK				
Ø	ORIGINAL RELEASE FOR PRODUCTION	3-3-66	Jc	QC	arc	CONTACT, ELECTRICAL	
SYM	DESCRIPTION	DATE	CH. NO.	DRAFTS	CHECKER	ENG. APP.	
UNLESS OTHERWISE SPECIFIED DIMENSIONS ARE IN INCHES AND INCLUDE CHEMICALLY APPLIED OR PLATED FINISHES		SCALE 1:1		MATERIAL			
				HALF HARD		DRAWN	CHECKED
				TYPE & TEMPER		HEAT TREAT. SPEC.	
				5245 SILVER PL.		S423 SILVER KOTE	
				FINISH & SPEC. NO.		ELEC. DES. APP.	MECH. DES. APP.
DECIMALS .X ± .05 .XX ± .01 .XXX ± .005		FRACTIONS ± 1/64 ANGLES ± 0° 30'		CODE A		PM1281 Ø	
TOLERANCES							