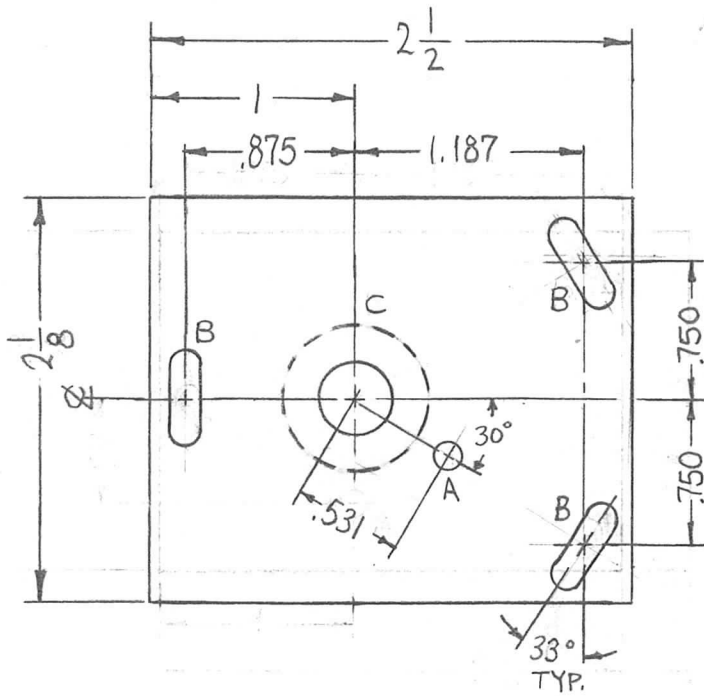


REQ. PER UNIT	USED ON			PM1265 Ø
	MODEL	ASS'Y. NO.	DATE	
1	TST-10K		6-4-65	



HOLES	DESCRIPTION	REQ.
A	.125 DIA.	1
B	5/32 X 1/2 SLOT	3
C	DR. 3/8 DIA. C'BORE 3/4 DIA. X 1/4 DEEP. ON BOTTOM	1

TOP VIEW SHOWN

REF: LD 1912

REQ. ITEM	PART NO.	F. BUDETTI DESCRIPTION				SYMBOL
	3/8 THICK STOCK SIZE	THE TECHNICAL MATERIEL CORP. MAMARONECK, NEW YORK				
Ø	ORIGINAL RELEASE FOR PRODUCTION	3-3-66	M	Jc	<i>JCB are</i>	
X1	COMPLETELY RE-DESIGNED	7-29-65	X1	<i>SKB</i>		
SYM	DESCRIPTION	DATE	CH. NO.	DRAFTS	CHECKER	ENG. APP.
UNLESS OTHERWISE SPECIFIED DIMENSIONS ARE IN INCHES AND INCLUDE CHEMICALLY APPLIED OR PLATED FINISHES		SCALE 1:1				
DECIMALS .X ± .05 .XX ± .01 .XXX ± .005	TOLERANCES	FRACTIONS ± 1/64 ANGLES ± 0° 30'	CODE A			
2024-T3		TYPE & TEMPER		HEAT TREAT. SPEC.		2024-T3
S404 YEL. IRIDITE		FINISH & SPEC. NO.		ELEC. DES. APP.		MECH. DES. APP.
		<i>SKB</i>		<i>JCB</i>		<i>M. H. H. H.</i>
						PM1265 Ø