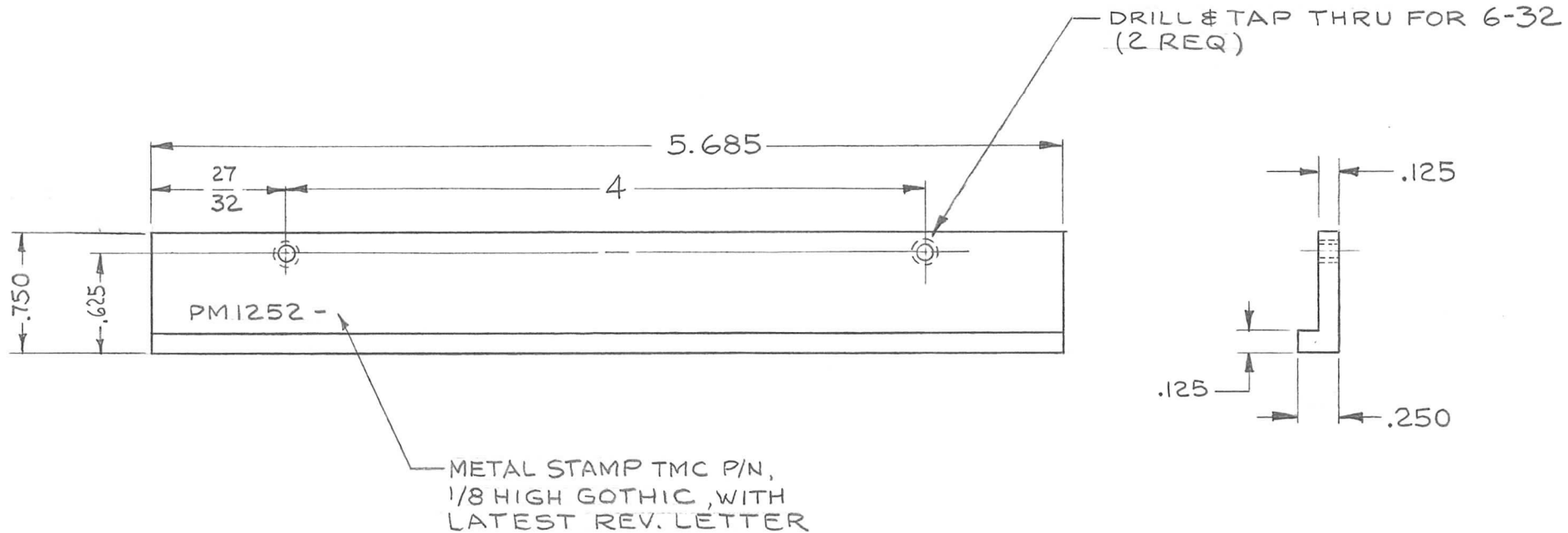


REQ. PER UNIT	USED ON			PM1252	Ø
	MODEL	ASS'Y. NO.	DATE		
2	TSTE -10K		4.30.65		



SYM	DESCRIPTION	DATE	CH. NO.	DRAFTS	CHECKER	ENG. APP.	REQ. ITEM	PART NO.	F. BUDETTI DESCRIPTION	SYMBOL	
							SEE DWG.		THE TECHNICAL MATERIEL CORP.		
							STOCK SIZE		MAMARONECK. NEW YORK		
Ø	ORIGINAL RELEASE FOR PRODUCTION	4/26/67	Ø	CV		<i>HOe</i>	ALUMINUM		BRACKET, END		
							MATERIAL		(MODULE CABINET)		
	UNLESS OTHERWISE SPECIFIED DIMENSIONS ARE IN INCHES AND INCLUDE CHEMICALLY APPLIED OR PLATED FINISHES	SCALE 1:1						2024-T3	<i>JB</i>	<i>JB</i>	
	DECIMALS .X ± .05 .XX ± .01 .XXX ± .005	TOLERANCES	FRACTIONS ± 1/64 ANGLES ± 0° 30'	CODE A			TYPE & TEMPER	HEAT TREAT. SPEC.	DRAWN	CHECKED	FINAL APPROVAL
							S404 YEL. IRIDITE		<i>aa</i>	<i>ase</i>	PM1252
							FINISH & SPEC. NO.		ELEC. DES. APP.	MECH. DES. APP.	Ø