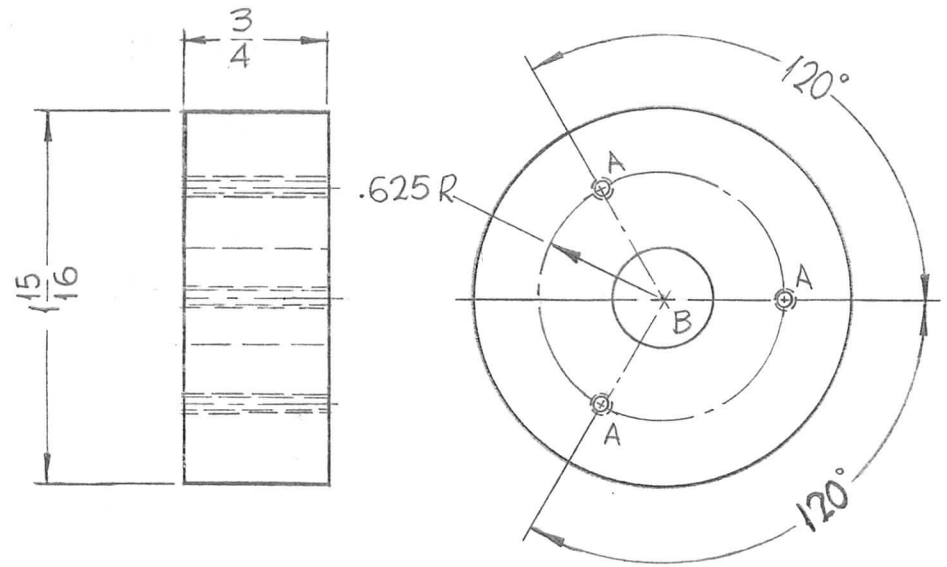


REQ. PER UNIT	USED ON			PM 1146 Ø
	MODEL	ASS'Y. NO.	DATE	
2	COPA-2		11-5-64	



HOLE	DESCRIPTION	REQ.
A	DRILL & TAP FOR 4-40	3
B	.510 DIA.	1

NOTE:
REMOVE ALL BURRS &
SHARP EDGES

SYM	DESCRIPTION	DATE	CH. NO.	DRAFTS	CHECKER	ENG. APP.	REQ. ITEM	PART NO.	M. STURMER DESCRIPTION	SYMBOL	
Ø	ORIGINAL RELEASE FOR PRODUCTION	11-17-64	Ø	SRG			AS NOTED		THE TECHNICAL MATERIEL CORP. MAMARONECK, NEW YORK	SPACER	
X ₁	3/4 DIM WAS 1/32	11-13-64	X ₁	SRG			STOCK SIZE				
X	EXP. RELEASE	11-5-64	X	SRG			ALUMINUM				
UNLESS OTHERWISE SPECIFIED DIMENSIONS ARE IN INCHES AND INCLUDE CHEMICALLY APPLIED OR PLATED FINISHES							SCALE				
							1:1				
							2024-T4	#	SRG	@ 11-13-64	RAL
							S404 YELLOW IRIDITE				
							FINISH & SPEC. NO.	ELEC. DES. APP.	MECH. DES. APP.		
DECIMALS .X ± .05 .XX ± .01 .XXX ± .005		FRACTIONS ± 1/64 ANGLES ± 0° 30'		TOLERANCES		CODE A	PM 1146 Ø				