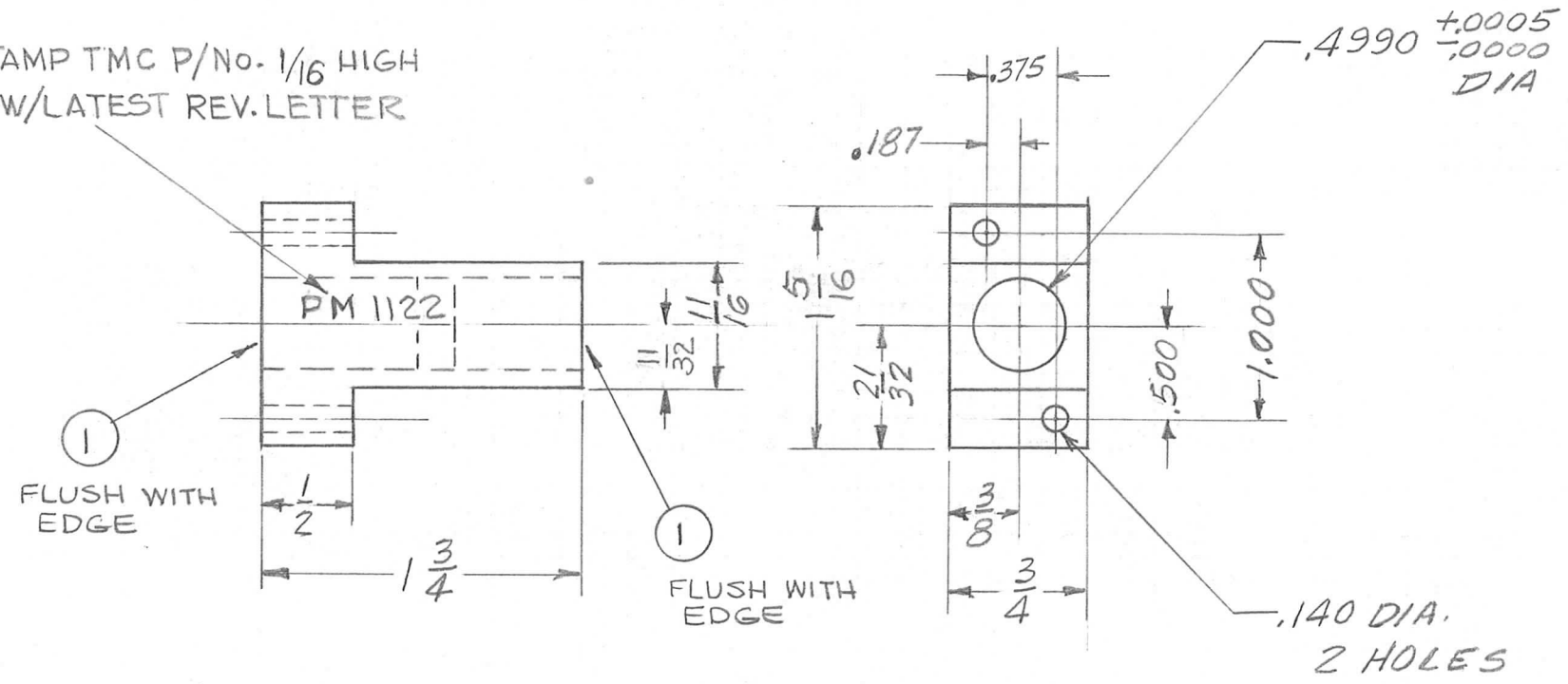


REQ. PER UNIT	USED ON			PM 1122 B
	MODEL	ASS'Y. NO.	DATE	
4	VLRB-1			

METAL STAMP TMC P/No. 1/16 HIGH
GOTHIC W/LATEST REV. LETTER



B	TMC P/N 1/16 HIGH WAS 1/8	2-19-69	19224	GE	10	OP	2	1	BB132-1	BEARING, SLEEVE		
A	ITEM 1 ADDED	2-2-66	15679	MW	SA	OP						
Ø	ORIGINAL RELEASE FOR PRODUCTION	4.9.65	Ø	Ø								
X	EXPER. RELEASE											
SYM	DESCRIPTION	DATE	CH. NO.	DRAFTS	CHECKER	ENG. APP.	MATERIAL		THE TECHNICAL MATERIEL CORP. MAMARONECK, NEW YORK			
UNLESS OTHERWISE SPECIFIED DIMENSIONS ARE IN INCHES AND INCLUDE CHEMICALLY APPLIED OR PLATED FINISHES							SCALE		BLOCK, BEARING			
							1:1					
DECIMALS .X ± .05 .XX ± .01 .XXX ± .005		FRACTIONS ± 1/64 ANGLES ± 0° 30'		CODE A		2024-T4		TYPE & TEMPER		HEAT TREAT. SPEC.		
TOLERANCES						5404 YEL. IRIDITE		DRAWN		CHECKED		
								FINISH & SPEC. NO.		ELEC. DES. APP. MECH. DES. APP.		
							M		C		T	
							DIA.C.		M		PM 1122 B	