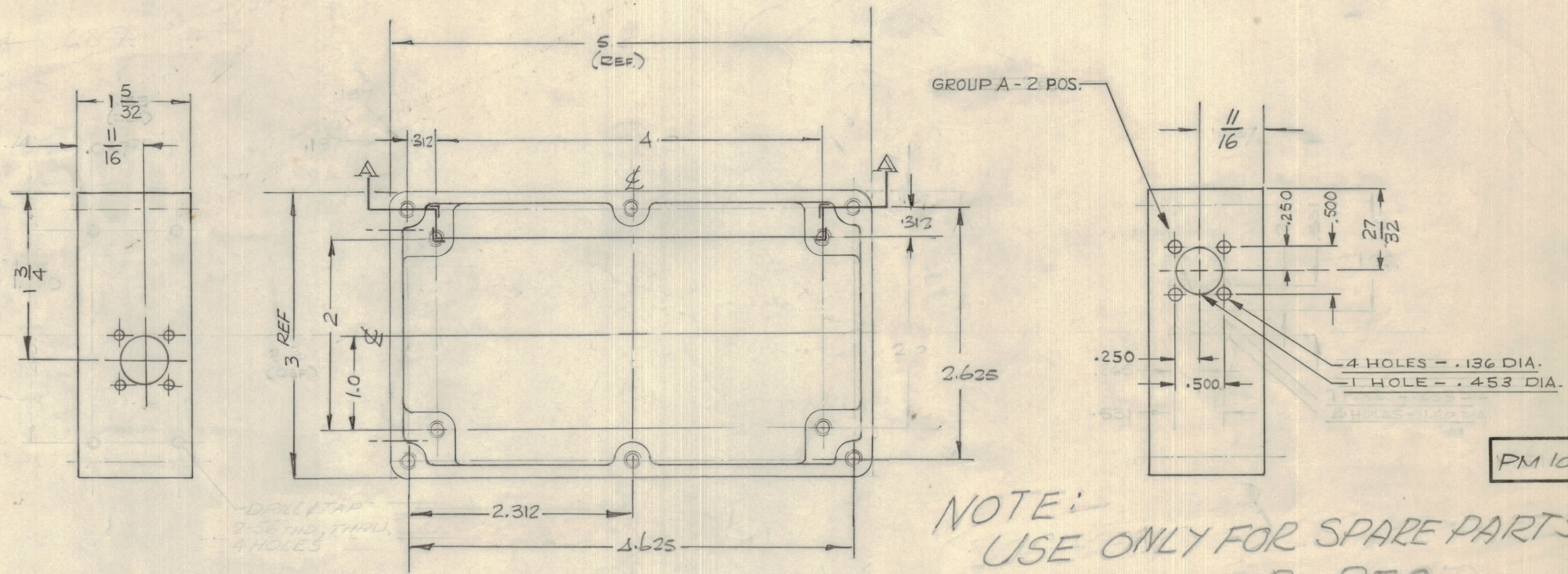


IF IT IS FOUND DESIRABLE TO CHANGE ANY TOLERANCE OR OTHER DETAIL SPECIFIED ON THIS DRAWING NOTIFY THE PURCHASER PROMPTLY.				DIMENSIONS IN INCHES UNLESS OTHERWISE SPECIFIED			
MAXIMUM ALLOWABLE TOLERANCES HAVE BEEN DETERMINED AND DEVIATIONS WILL BE CAUSE FOR REJECTION. REMOVE ALL BURRS AND SHARP EDGES.							
ISSUE	ITEM	CHANGED FROM	DATE	CN. NO.	DRAFTS	CHECKER	ENG. APP.
Ø		REL TO PROD	DEC 18/68		AP		
A		REV PER CEMN	JAN 22/71	901	IR		
B		REV PER CEMN	MAR 15/71	931	APP		
C		CHANGE DIM 1.75, 1.158, .340, 6.8770 FRAC. DEL. .187 DIM & ADD	JUN 21/76	21403	G.D.L.		
D		NOTE USE FOR SPARE PARTS ONLY NO LONGER REQ'D	21/79	21752	G.D.L.		F.D.

REQ.	ITEM	PART NO.	DESCRIPTION	SYMBOL
1	1	CS 10005	CASTING	
12	3	NT1394206-205	INSERT, SCREW THREAD	
4	3	NT1394201-155	INSERT, SCREW THREAD	



-DRILL TAP  
2-32 THD THRU  
4 HOLES

NOTE:  
USE ONLY FOR SPARE PARTS  
NO LONGER REQ'D  
REPLACE BY MS 6976



6 HOLES - DRILL THRU & TAP EACH END FOR ITEM 2.  
4 HOLES - DRILL & TAP FOR ITEM 3.

TOLERANCE -  
± .015 UNLESS  
OTHERWISE STATED

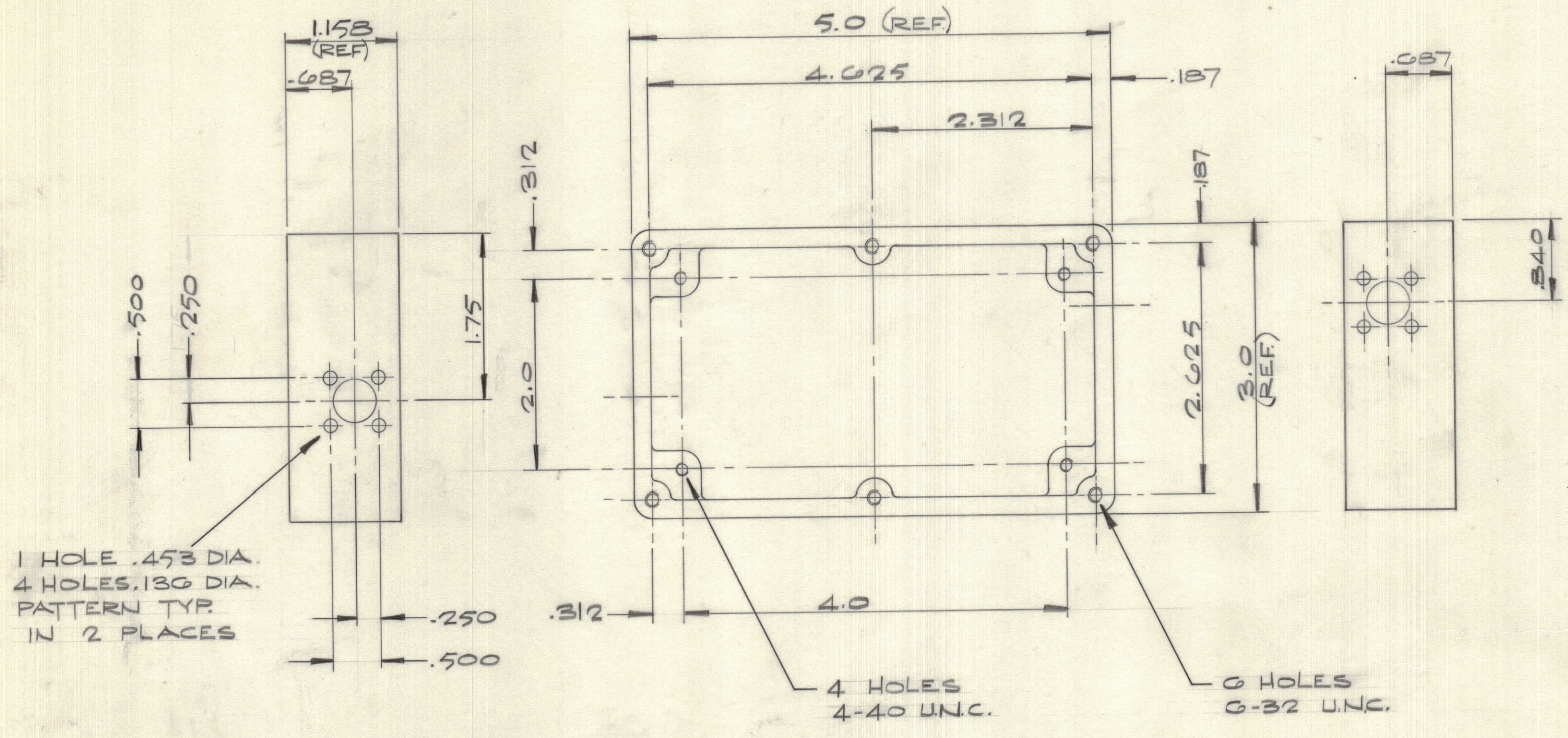
TOLERANCES		SCALE: 1/1
ALL	DEC. DIM. ± 1/64	DRILL, PUNCH, COMMERCIAL STOCK
OTHERS	FRAC. DIM. ± 1/64	SIZES AND MANUFACTURERS
	ANGULAR DIM. ± 0° 30'	TOLERANCES ARE NOT INCLUDED.

AMC 8 75 Ω	FX 10018-1		
AMC 8 50 Ω	FX 10034	JAN 17/68	
MODEL	PROJECT NO.	ASSY. NO.	DATE

STOCK SIZE		TMC (Canada) LIMITED	
		OTTAWA	ONTARIO
MATERIAL		FILTER HOUSING	
WEIGHT PER PC.		(MACHINING)	
TYPE & TEMPER		BARTLETT	
DRAWN		ELEC. DES. APP.	
CHECKED		MECH. DES. APP.	
HEAT TREAT. SPEC.		FINAL APPROVAL	
IKIDITE - S404		PM 10091 D	
FINISH & SPEC. NO.			

IF IT IS FOUND DESIRABLE TO CHANGE ANY TOLERANCE OR OTHER DETAIL SPECIFIED ON THIS DRAWING NOTIFY THE PURCHASER PROMPTLY.		DIMENSIONS IN INCHES UNLESS OTHERWISE SPECIFIED					
MAXIMUM ALLOWABLE TOLERANCES HAVE BEEN DETERMINED AND DEVIATIONS WILL BE CAUSE FOR REJECTION. REMOVE ALL BURRS AND SHARP EDGES.							
ISSUE	ITEM	CHANGED FROM	DATE	CN. NO.	DRAFTS	CHECKER	ENG. APP.
Ø		PROD. RELEASE	1 SEP 70		W.S.		W.S.

REQ.	ITEM	PART NO.	DESCRIPTION	SYMBOL
------	------	----------	-------------	--------



PM10091 -RCA Ø

TOLERANCES	SCALE
ALL OTHERS DEC. DIM. ± .020 FRAC. DIM. ± 1/64 ANGULAR DIM. ± 0° 30'	DRILL, PUNCH, COMMERCIAL STOCK SIZES AND MANUFACTURERS TOLERANCES ARE NOT INCLUDED.

MODEL	PROJECT NO.	ASSY. NO.	DATE
AMC-B			1 SEPT. '70

STOCK SIZE		TMC (Canada) LIMITED OTTAWA ONTARIO	
MATERIAL		FILTER HOUSING	
TYPE & TEMPER		W.S.	
HEAT TREAT. SPEC.			
FINISH & SPEC. NO.		PM10091 -RCA	Ø