

IF IT IS FOUND DESIRABLE TO CHANGE ANY TOLERANCE OR OTHER DETAIL SPECIFIED ON THIS DRAWING NOTIFY THE PURCHASER PROMPTLY.

PM-198

MAXIMUM ALLOWABLE TOLERANCES HAVE BEEN DETERMINED AND DEVIATIONS WILL BE CAUSE FOR REJECTION. REMOVE ALL BURRS AND SHARP EDGES

REQ. PER UNIT

USED ON

MODEL

PROJECT NO.

ASS'Y. NO.

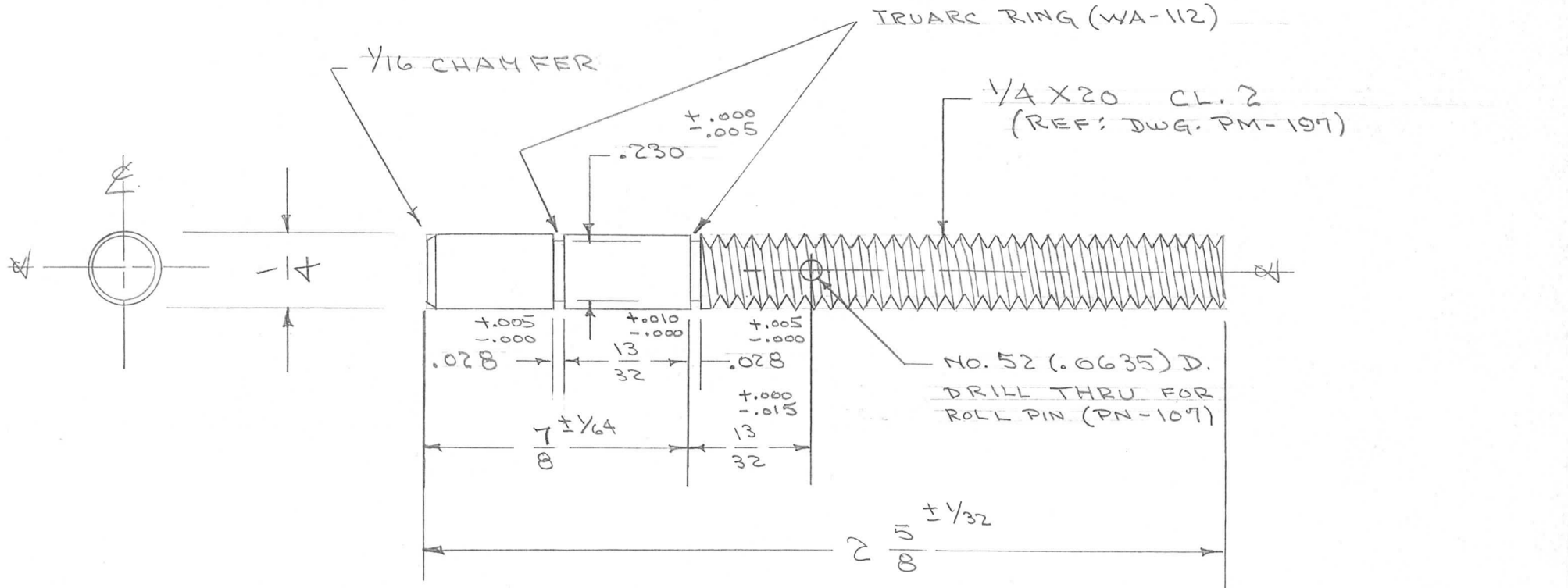
DATE

1

VOX

A-426

8-30-55



| REQ. | ITEM | PART NO. | DESCRIPTION | SYMBOL |
|------|------------------------|----------------|------------------------------|---------------------------------|
| | 1/4 D. ROD. | | THE TECHNICAL MATERIEL CORP. | |
| | STOCK SIZE | | MAMARONECK. NEW YORK | |
| | BRASS | — | SHAFT, CALIBRATE CONTROL | |
| | MATERIAL | WEIGHT PER PC. | | |
| | FREE TURNING | | VOX | |
| | TYPE & TEMPER | | CD. 8/30/55 | |
| | — | | DRAWN | ELEC. DES. APP. MECH. DES. APP. |
| | HEAT TREAT. SPEC. | | JAD | WJ |
| | S-105 CAD. PLATE .0002 | | CHECKED | FINAL APPROVAL |
| | FINISH & SPEC. NO. | | | PM-198 |

| # | ISSUE | CHANGED FROM | DATE | CN. NO. | DRAFTS | CHECKER | ENG. APP. |
|---|-------|--------------|---------|---------|--------|---------|-----------|
| | | REDRAWN | 8/30/55 | — | EDD | JAD | WJ |

| TOLERANCES | SCALE |
|--|---|
| ALL OTHERS DEC. DIM. ± FRAC. DIM. ± 1/64 ANGULAR DIM. ± | DRILL, PUNCH, COMMERCIAL STOCK SIZES AND MANUFACTURERS TOLERANCES ARE NOT INCLUDED. |