

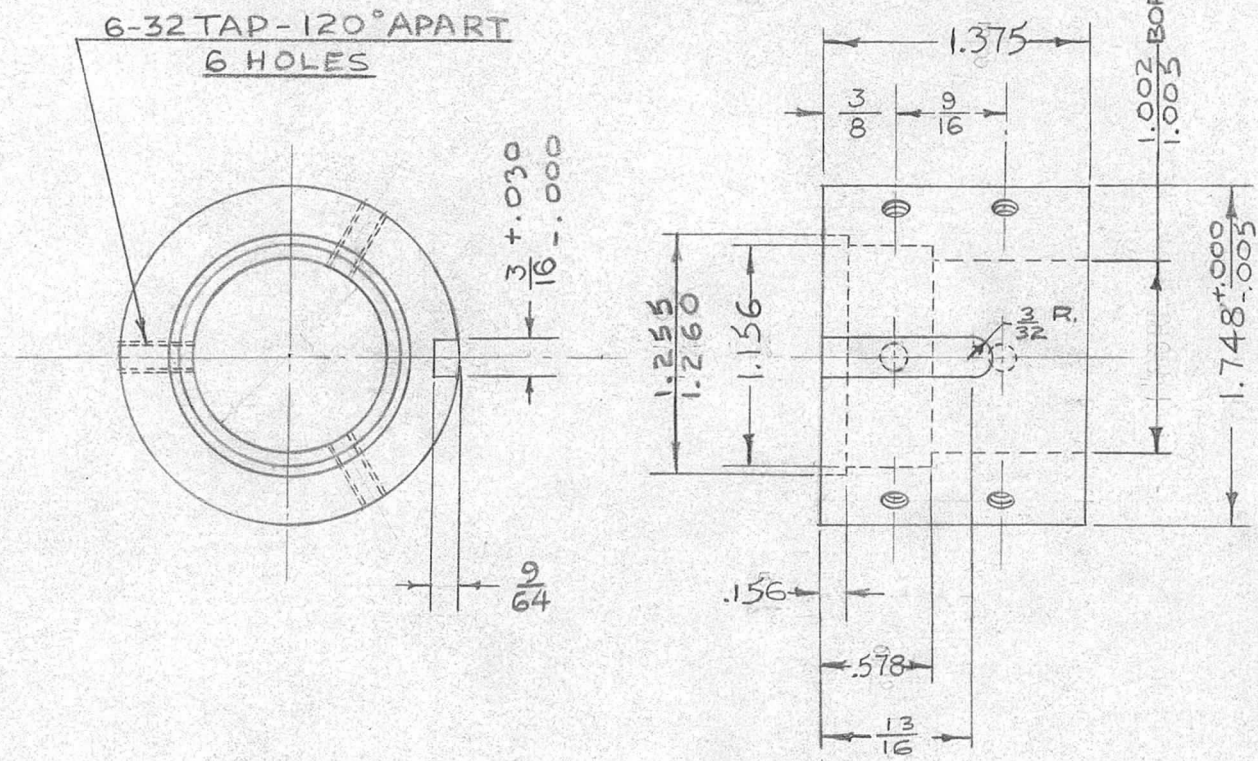
IT IS DESIRABLE TO CHANGE ANY TOLERANCE  
 IF OTHER DETAIL SPECIFIED ON THIS DRAWING NOTIFY  
 THE PURCHASER PROMPTLY.

MINIMUM ALLOWABLE TOLERANCES HAVE BEEN DETER-  
 MINED AND DEVIATIONS WILL BE CAUSE FOR REJECTION.  
 REMOVE ALL BURRS AND SHARP EDGES

RELEASED

PM-152

USED ON			
MODEL	PROJECT NO.	ASS'Y. NO.	DATE
TWR-115	151	A-220	9-6-52



REQ.	ITEM	PART NO.	DESCRIPTION	SYMBOL
		1 3/4 DIA.	THE TECHNICAL MATERIEL CORP.	
		STOCK SIZE	MAMARONECK, NEW YORK	
		ALUMINUM	PLUG HOUSING	
		MATERIAL		
		WEIGHT PER PC.		
		115-T3		
		TYPE & TEMPER		
		HEAT TREAT. SPEC.		
		CAUSTIC DIP		
		S-101		
		FINISH & SPEC. NO.		

ISSUE	ITEM	CHANGED FROM	DATE	CN. NO.	DRAFTS	CHECKER	ENG. APP.
TOLERANCES			SCALE FULL SIZE				
ALL OTHERS	DEC. DIM. ± .005 FRAC. DIM. ± 1/64 ANGULAR DIM. ±		DRILL, PUNCH, COMMERCIAL STOCK SIZES AND MANUFACTURERS TOLERANCES ARE NOT INCLUDED.				

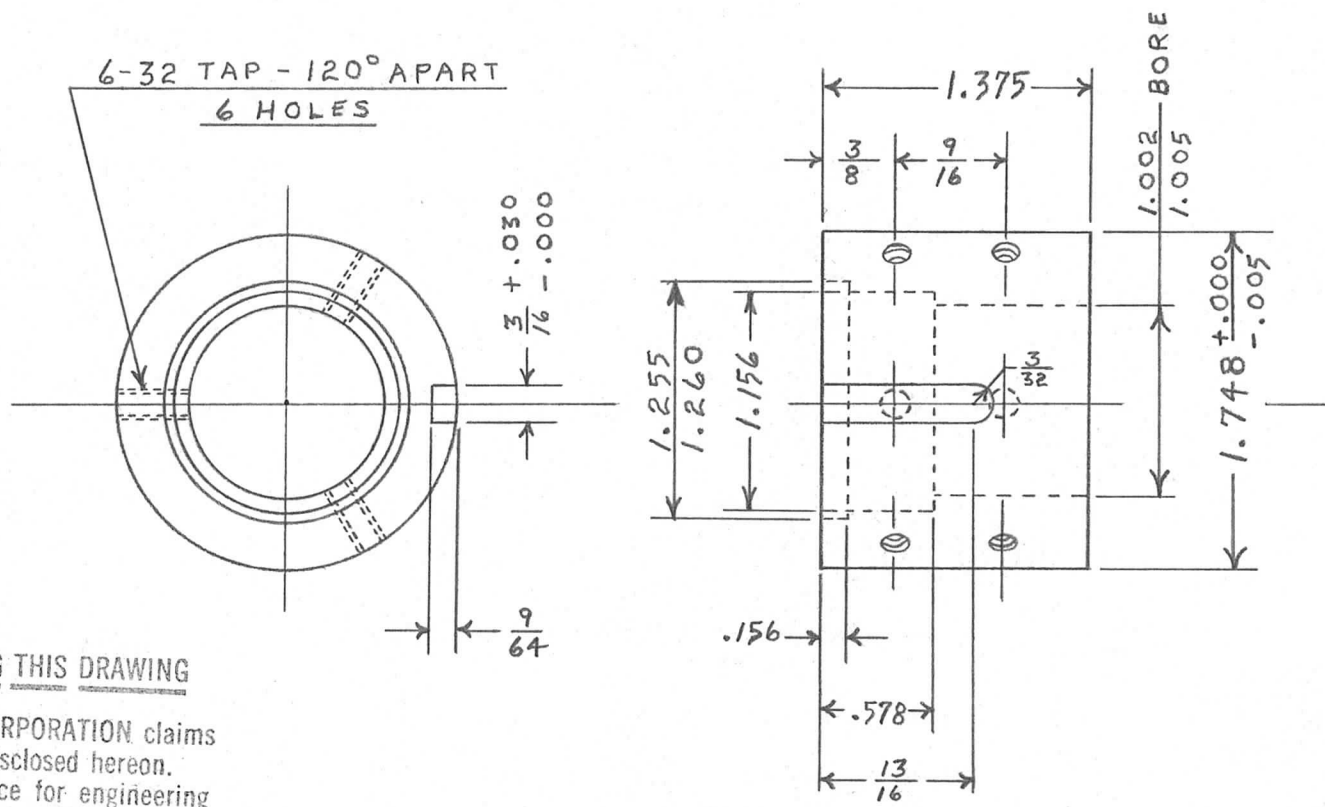
*L. Gabel*  
 DRAWN  
 ELEC. DES. APP.  
 MECH. DES. APP.  
 JAD 11/14/52  
 CHECKED  
 FINAL APPROVAL  
 PM-152

IF IT IS FOUND DESIRABLE TO CHANGE ANY TOLERANCE OR OTHER DETAIL SPECIFIED ON THIS DRAWING NOTIFY THE PURCHASER PROMPTLY.

PM-152

MAXIMUM ALLOWABLE TOLERANCES HAVE BEEN DETERMINED AND DEVIATIONS WILL BE CAUSE FOR REJECTION. REMOVE ALL BURRS AND SHARP EDGES

TWR-115		USED ON	
MODEL	PROJECT NO.	ASS'Y. NO.	DATE



NOTICE TO PERSONS RECEIVING THIS DRAWING

THE TECHNICAL MATERIEL CORPORATION claims proprietary right in the material disclosed hereon. This drawing is issued in confidence for engineering information only and may not be reproduced or used to manufacture anything shown hereon without permission from THE TECHNICAL MATERIEL CORPORATION to the user. This drawing is loaned for mutual assistance and is subject to recall at any time.

Property of:

THE TECHNICAL MATERIEL CORPORATION  
MAMARONECK, NEW YORK

REQ.	ITEM	PART NO.	DESCRIPTION	SYMBOL
		1 3/4 DIA.	TMC (Canada) LIMITED OTTAWA ONTARIO	
		STOCK SIZE		
		ALUMINUM	PLUG HOUSING	
		MATERIAL	TAPE WINDING	
		11S-T3	BT 6/5/55	
		TYPE & TEMPER		
		— H —	DRAWN	ELEC. DES. APP. MECH. DES. APP.
		HEAT TREAT. SPEC.	Law FINAL APPROVAL	
		CAUSTIC DIP S-101		
		FINISH & SPEC. NO.	CHECKED	PM-152

ISSUE	ITEM	CHANGED FROM	DATE	CN. NO.	DRAFTS	CHECKER	ENG. APP.
TOLERANCES		SCALE FULL SIZE					
ALL OTHERS	DEC. DIM. ± .005	DRILL, PUNCH, COMMERCIAL STOCK SIZES AND MANUFACTURERS TOLERANCES ARE NOT INCLUDED.					
	FRAC. DIM. ± 1/64						
	ANGULAR DIM. ±						