

IF IT IS FOUND DESIRABLE TO CHANGE ANY TOLERANCE OR OTHER DETAIL SPECIFIED ON THIS DRAWING NOTIFY THE PURCHASER PROMPTLY.

RELEASED

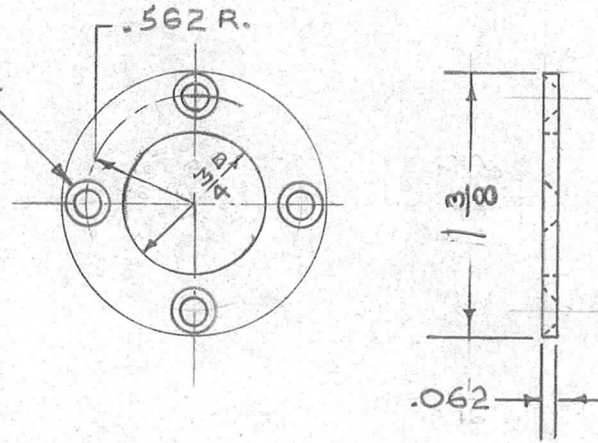
PM-146

MAXIMUM ALLOWABLE TOLERANCES HAVE BEEN DETERMINED AND DEVIATIONS WILL BE CAUSE FOR REJECTION. REMOVE ALL BURRS AND SHARP EDGES

USED ON

MODEL	PROJECT NO.	ASS'Y. NO.	DATE
TWR-115	151	A-218	10-16-52

9/64 D. (.140) - C'SINK 82° - 1/16 DP.  
4 HOLES



REQ.	ITEM	PART NO.	DESCRIPTION	SYMBOL
		1 3/8 DIA.	THE TECHNICAL MATERIEL CORP.	
		STOCK SIZE	MAMARONECK, NEW YORK	
		ALUMINUM	BEARING RETAINER	
		MATERIAL		
		WEIGHT PER PC.		
		115 - T3		
		TYPE & TEMPER	LG 10-16-52	
			DRAWN	ELEC. DES. APP.
				MECH. DES. APP.
			JAD 11/14/52	
			CHECKED	FINAL APPROVAL
		HEAT TREAT. SPEC.		
		CAUSTIC DIP		
		S-101		
		FINISH & SPEC. NO.		
				PM-146

ISSUE	ITEM	CHANGED FROM	DATE	CN. NO.	DRAFTS	CHECKER	ENG. APP.
TOLERANCES			SCALE FULL SIZE				
ALL OTHERS	DEC. DIM. ± .005 FRAC. DIM. ± 1/64 ANGULAR DIM. ±		DRILL, PUNCH, COMMERCIAL STOCK SIZES AND MANUFACTURERS TOLERANCES ARE NOT INCLUDED.				

IF IT IS FOUND DESIRABLE TO CHANGE ANY TOLERANCE OR OTHER DETAIL SPECIFIED ON THIS DRAWING NOTIFY THE PURCHASER PROMPTLY.

PM-146

MAXIMUM ALLOWABLE TOLERANCES HAVE BEEN DETERMINED AND DEVIATIONS WILL BE CAUSE FOR REJECTION. REMOVE ALL BURRS AND SHARP EDGES

TWR-115

USED ON

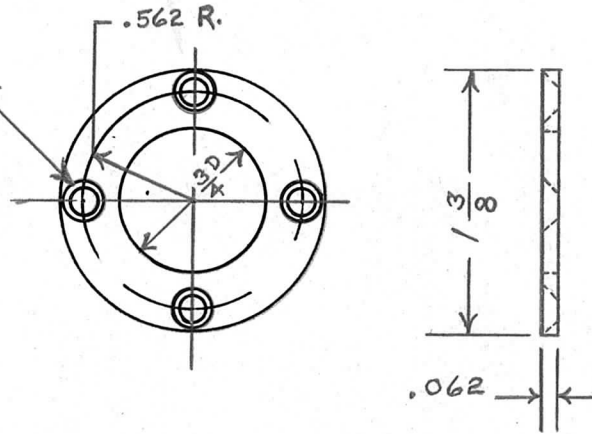
MODEL

PROJECT NO.

ASS'Y. NO.

DATE

9/64 D. (.140) - C'SINK 82° - 1/16 DP.  
4 HOLES



NOTICE TO PERSONS RECEIVING THIS DRAWING

THE TECHNICAL MATERIEL CORPORATION claims proprietary right in the material disclosed hereon. This drawing is issued in confidence for engineering information only and may not be reproduced or used to manufacture anything shown hereon without permission from THE TECHNICAL MATERIEL CORPORATION to the user. This drawing is loaned for mutual assistance and is subject to recall at any time.

Property of:

THE TECHNICAL MATERIEL CORPORATION  
MAMARONECK, NEW YORK

REQ.	ITEM	PART NO.	DESCRIPTION	SYMBOL
	1	3/8 DIA	TMC (Canada) LIMITED OTTAWA ONTARIO	
		STOCK SIZE	BEARING RETAINER	
		ALUMINUM #	TAPE WINDING	
		MATERIAL WEIGHT PER PC.	DT 4/5/55	
		115-T3		
		TYPE & TEMPER		
		#	DRAWN	ELEC. DES. APP. MECH. DES. APP.
		HEAT TREAT. SPEC.		
		CAUSTIC DIP S-101	CHECKED	FINAL APPROVAL <i>Law</i>
		FINISH & SPEC. NO.		PM-146

ISSUE	ITEM	CHANGED FROM	DATE	CN. NO.	DRAFTS	CHECKER	ENG. APP.
TOLERANCES		SCALE FULL SIZE					
ALL OTHERS	DEC. DIM. ± .005	DRILL, PUNCH, COMMERCIAL STOCK SIZES AND MANUFACTURERS TOLERANCES ARE NOT INCLUDED.					
	FRAC. DIM. ± 1/64						
	ANGULAR DIM. ±						