

IF IT IS FOUND DESIRABLE TO CHANGE ANY TOLERANCE OR OTHER DETAIL SPECIFIED ON THIS DRAWING NOTIFY THE PURCHASER PROMPTLY.

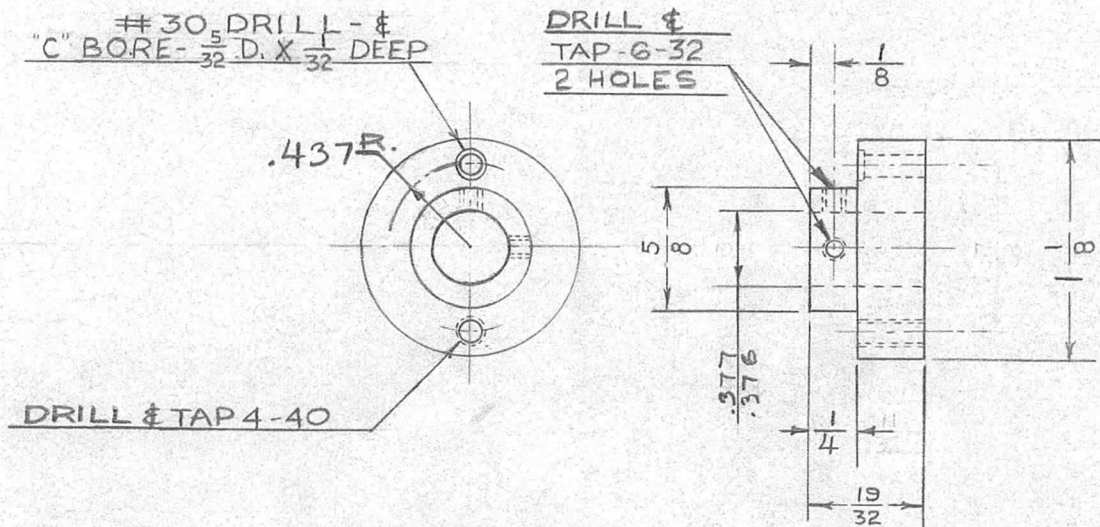
RELEASED

PM-144

MAXIMUM ALLOWABLE TOLERANCES HAVE BEEN DETERMINED AND DEVIATIONS WILL BE CAUSE FOR REJECTION. REMOVE ALL BURRS AND SHARP EDGES

USED ON

MODEL	PROJECT NO.	ASS'Y. NO.	DATE
TWR-115	151	A-223	9-13-52



REQ.	ITEM	PART NO.	DESCRIPTION	SYMBOL
		$\frac{1}{8}$ DIA.	THE TECHNICAL MATERIEL CORP. MAMARONECK. NEW YORK	
		STOCK SIZE		
		ALUMINUM	PIN BUSHING	
		MATERIAL		
		115-T3		
		TYPE & TEMPER		
		CAUSTIC DIP 5-101		
		FINISH & SPEC. NO.		

ISSUE	ITEM	CHANGED FROM	DATE	CN. NO.	DRAFTS	CHECKER	ENG. APP.
ALL OTHERS		DEC. DIM. $\pm .005$ FRAC. DIM. $\pm \frac{1}{64}$ ANGULAR DIM. \pm					

SCALE FULL SIZE
DRILL, PUNCH, COMMERCIAL STOCK SIZES AND MANUFACTURERS TOLERANCES ARE NOT INCLUDED.

DRAWN: *WDC 11/7*
ELEC. DES. APP.: *WDC*
MECH. DES. APP.: *WDC*
CHECKED: *WDC*
FINAL APPROVAL: *WDC*
PM-144

IF IT IS FOUND DESIRABLE TO CHANGE ANY TOLERANCE OR OTHER DETAIL SPECIFIED ON THIS DRAWING NOTIFY THE PURCHASER PROMPTLY.

PM-144

MAXIMUM ALLOWABLE TOLERANCES HAVE BEEN DETERMINED AND DEVIATIONS WILL BE CAUSE FOR REJECTION. REMOVE ALL BURRS AND SHARP EDGES

TWR-115

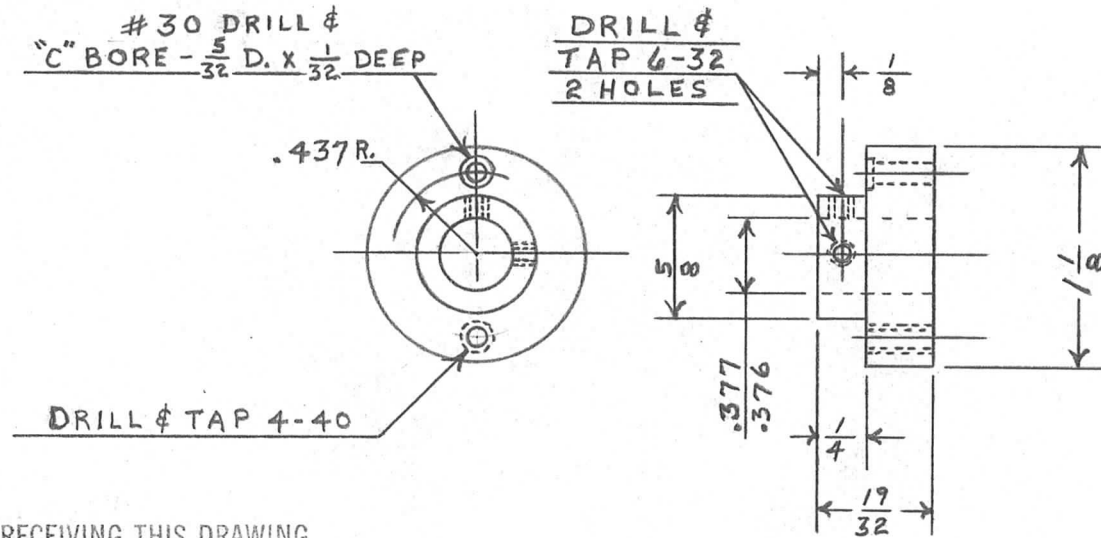
USED ON

MODEL

PROJECT NO.

ASS'Y. NO.

DATE



NOTICE TO PERSONS RECEIVING THIS DRAWING

THE TECHNICAL MATERIEL CORPORATION claims proprietary right in the material disclosed hereon. This drawing is issued in confidence for engineering information only and may not be reproduced or used to manufacture anything shown hereon without permission from THE TECHNICAL MATERIEL CORPORATION to the user. This drawing is loaned for mutual assistance and is subject to recall at any time.

Property of:

THE TECHNICAL MATERIEL CORPORATION
MAMARONECK, NEW YORK

REQ.	ITEM	PART NO.	DESCRIPTION	SYMBOL
		$\frac{1}{8}$ DIA.	TMC (Canada) LIMITED OTTAWA ONTARIO	
		STOCK SIZE		
		ALUMINUM	PIN BUSHING	
		MATERIAL		
		115-T3	TAPE WINDER	
		TYPE & TEMPER		
			24 5/5/55	
			DRAWN	ELEC. DES. APP.
				MECH. DES. APP.
			CHECKED	FINAL APPROVAL
		CAUSTIC DIP S-101		
		FINISH & SPEC. NO.		

ISSUE	ITEM	CHANGED FROM	DATE	CN. NO.	DRAFTS	CHECKER	ENG. APP.
TOLERANCES		SCALE FULL SCALE					
ALL OTHERS	DEC. DIM. $\pm .005$	DRILL, PUNCH, COMMERCIAL STOCK SIZES AND MANUFACTURERS TOLERANCES ARE NOT INCLUDED.					
	FRAC. DIM. $\pm \frac{1}{64}$						
	ANGULAR DIM. \pm						

PM-144