

IF IT IS FOUND DESIRABLE TO CHANGE ANY TOLERANCE OR OTHER DETAIL SPECIFIED ON THIS DRAWING NOTIFY THE PURCHASER PROMPTLY.

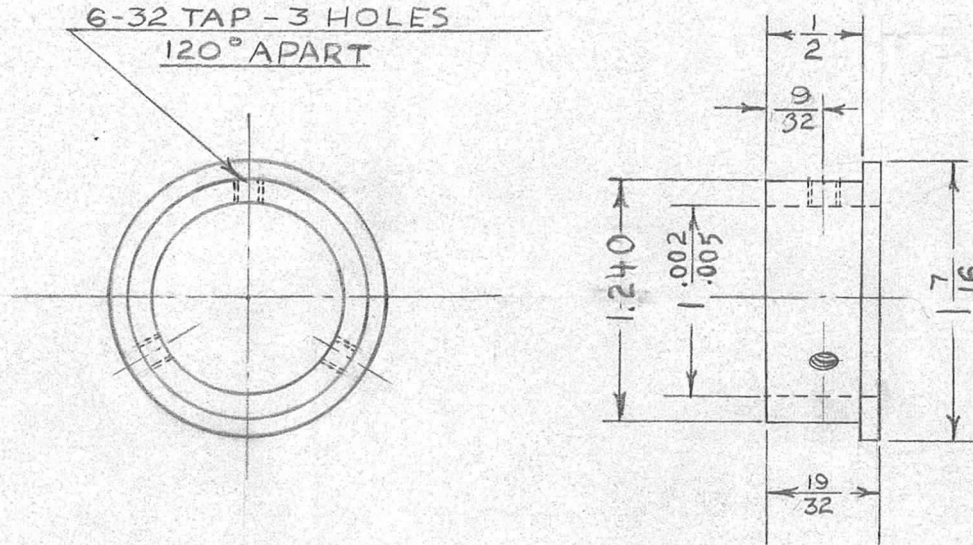
RELEASED

PM-141

MAXIMUM ALLOWABLE TOLERANCES HAVE BEEN DETERMINED AND DEVIATIONS WILL BE CAUSE FOR REJECTION. REMOVE ALL BURRS AND SHARP EDGES

USED ON

MODEL	PROJECT NO.	ASS'Y. NO.	DATE
TWR-115	151	A-216	9-6-52



REQ.	ITEM	PART NO.	DESCRIPTION	SYMBOL
		1 1/2 DIA	THE TECHNICAL MATERIEL CORP. MAMARONECK, NEW YORK	
		STOCK SIZE		
		BRASS	SADDLE BUSHING	
		—ff—		
		FREE TURNING		
		TYPE & TEMPER		
		HEAT TREAT. SPEC.		
		FINISH & SPEC. NO.		

ISSUE	ITEM	CHANGED FROM	DATE	CN. NO.	DRAFTS	CHECKER	ENG. APP.

TOLERANCES		SCALE FULL SIZE
ALL OTHERS	DEC. DIM. ±.005 FRAC. DIM. ± 1/64 ANGULAR DIM. ±	DRILL, PUNCH, COMMERCIAL STOCK SIZES AND MANUFACTURERS TOLERANCES ARE NOT INCLUDED.

DRAWN	ELEC. DES. APP.	MECH. DES. APP.
<i>J. Label</i>		<i>MS</i>
CHECKED	FINAL APPROVAL	
<i>J. Re 11/14/52</i>		

PM-141
--------

IF IT IS FOUND DESIRABLE TO CHANGE ANY TOLERANCE OR OTHER DETAIL SPECIFIED ON THIS DRAWING NOTIFY THE PURCHASER PROMPTLY.

PM-141

MAXIMUM ALLOWABLE TOLERANCES HAVE BEEN DETERMINED AND DEVIATIONS WILL BE CAUSE FOR REJECTION. REMOVE ALL BURRS AND SHARP EDGES

TWR-115

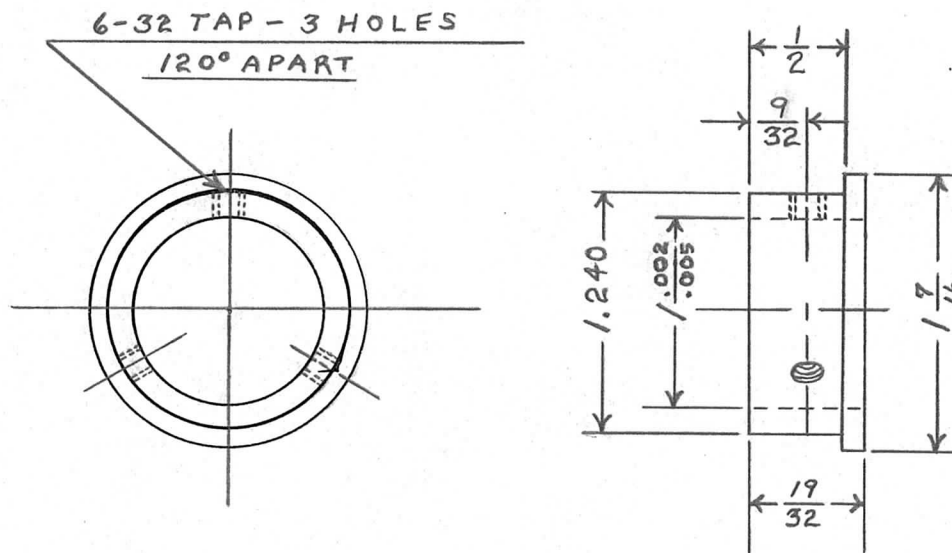
USED ON

MODEL

PROJECT NO.

ASS'Y. NO.

DATE



NOTICE TO PERSONS RECEIVING THIS DRAWING

THE TECHNICAL MATERIEL CORPORATION claims proprietary right in the material disclosed hereon. This drawing is issued in confidence for engineering information only and may not be reproduced or used to manufacture anything shown hereon without permission from THE TECHNICAL MATERIEL CORPORATION to the user. This drawing is loaned for mutual assistance and is subject to recall at any time.

Property of:

THE TECHNICAL MATERIEL CORPORATION  
MAMARONECK, NEW YORK

REQ.	ITEM	PART NO.	DESCRIPTION	SYMBOL
		1/2 DIA	TMC (Canada) LIMITED OTTAWA ONTARIO	
		STOCK SIZE	SADDLE BUSHING	
		BRASS	TAPE WINDING	
		MATERIAL	BT 4/5/55	
		WEIGHT PER PC.		
		FREE TURNING		
		TYPE & TEMPER		
			DRAWN	ELEC. DES. APP. MECH. DES. APP.
		HEAT TREAT. SPEC.	CHECKED	FINAL APPROVAL
				PM-141
		FINISH & SPEC. NO.		

ISSUE	ITEM	CHANGED FROM	DATE	CN. NO.	DRAFTS	CHECKER	ENG. APP.

TOLERANCES

SCALE FULL SIZE

ALL OTHERS  
DEC. DIM.  $\pm .005$   
FRAC. DIM.  $\pm 1/64$   
ANGULAR DIM.  $\pm$

DRILL, PUNCH, COMMERCIAL STOCK SIZES AND MANUFACTURERS TOLERANCES ARE NOT INCLUDED.