

IF IT IS FOUND DESIRABLE TO CHANGE ANY TOLERANCE OR OTHER DETAIL SPECIFIED ON THIS DRAWING NOTIFY THE PURCHASER PROMPTLY.

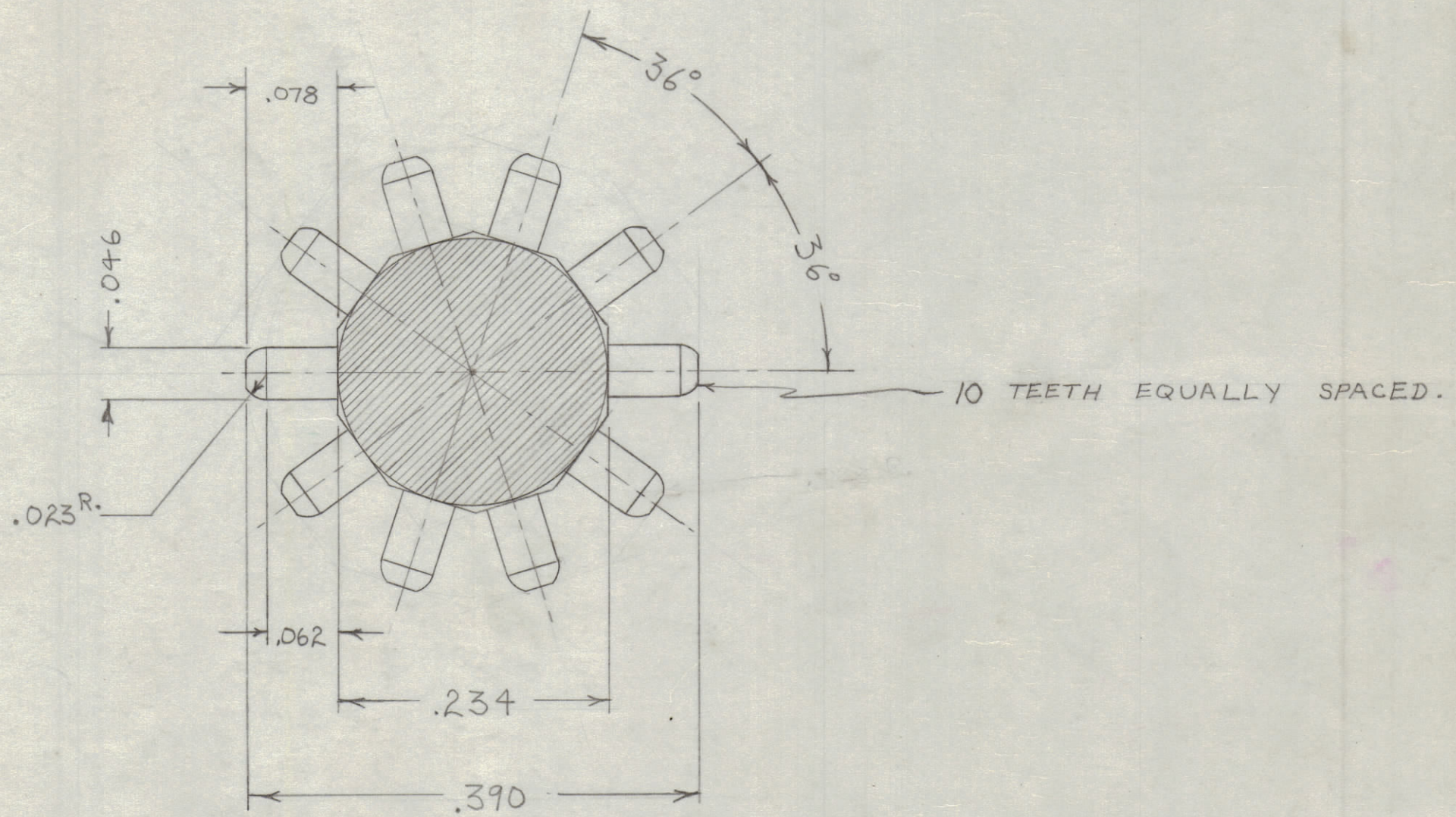
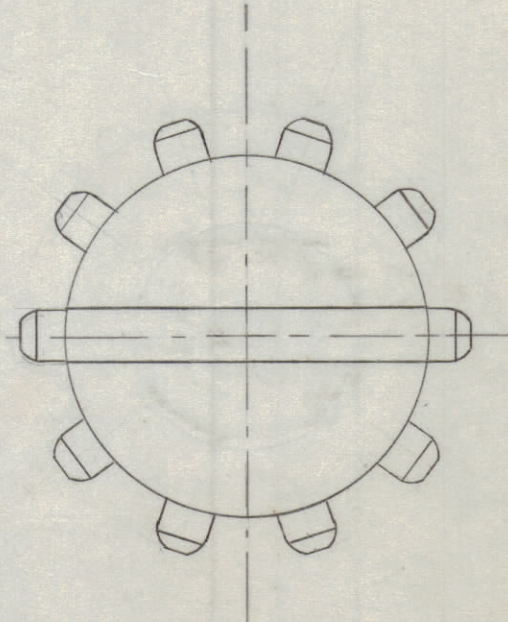
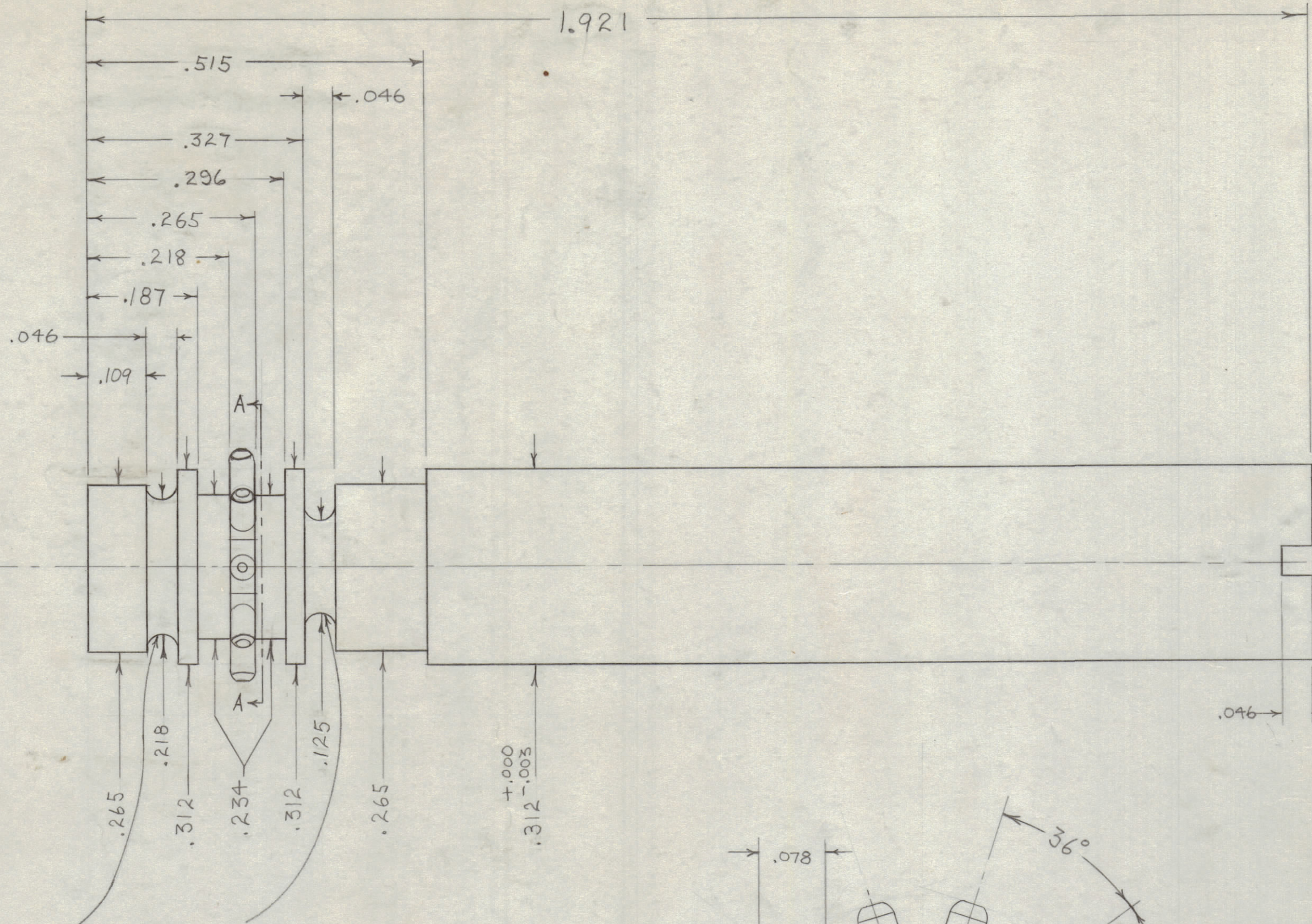
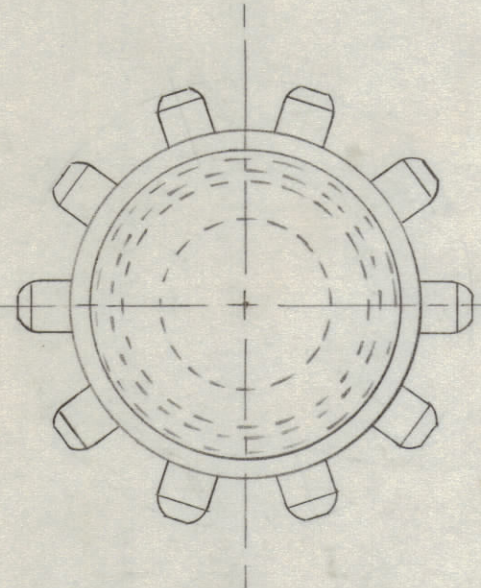
MAXIMUM ALLOWABLE TOLERANCES HAVE BEEN DETERMINED AND DEVIATIONS WILL BE CAUSE FOR REJECTION. REMOVE ALL BURRS AND SHARP EDGES

NOTICE TO PERSONS RECEIVING THIS DRAWING

THE TECHNICAL MATERIEL CORPORATION claims proprietary right in the material disclosed herein. This drawing is issued in confidence for engineering information only and may not be reproduced or used to manufacture anything shown herein without permission from THE TECHNICAL MATERIEL CORPORATION to the user. This drawing is loaned for mutual assistance and is subject to recall at any time.

Property of:

THE TECHNICAL MATERIEL CORPORATION
MAMARONECK, NEW YORK



DIAMETER IS WIDTH OF SLOT.

DECIMAL TOLERANCES $\pm .003$ UNLESS OTHERWISE SPECIFIED.

PM-130

DETAIL OF SECTION "A-A"

REF. PM-113A

ISSUE	ITEM	CHANGED FROM	DATE	CN. NO.	DRAFTS	CHECKER	ENG. APP.
TOLERANCES							
ALL OTHERS			SCALE: 6" = 1"				
DEC. DIM. $\pm .003$		DRILL, PUNCH, COMMERCIAL STOCK					
FRAC. DIM. \pm		SIZES AND MANUFACTURERS					
ANGULAR DIM. ± 10		TOLERANCES ARE NOT INCLUDED.					

XTR	116		9-13-52
MODEL	PROJECT NO.	ASS'Y. NO.	DATE
USED ON			

REQ. ITEM	PART NO.	DESCRIPTION	SYMBOL
#	#	THE TECHNICAL MATERIEL CORP. MAMARONECK, NEW YORK	
STOCK SIZE		TAPE FEED SPINDLE	
MATERIAL	WEIGHT PER PC.		
LOW CARBON			
TYPE & TEMPER			
CASE HARDEN			
HEAT TREAT. SPEC.			
FINISH & SPEC. NO.			
		CHECKED	FINAL APPROVAL
			PM-130