

IF IT IS FOUND DESIRABLE TO CHANGE ANY TOLERANCE OR OTHER DETAIL SPECIFIED ON THIS DRAWING NOTIFY THE PURCHASER PROMPTLY.

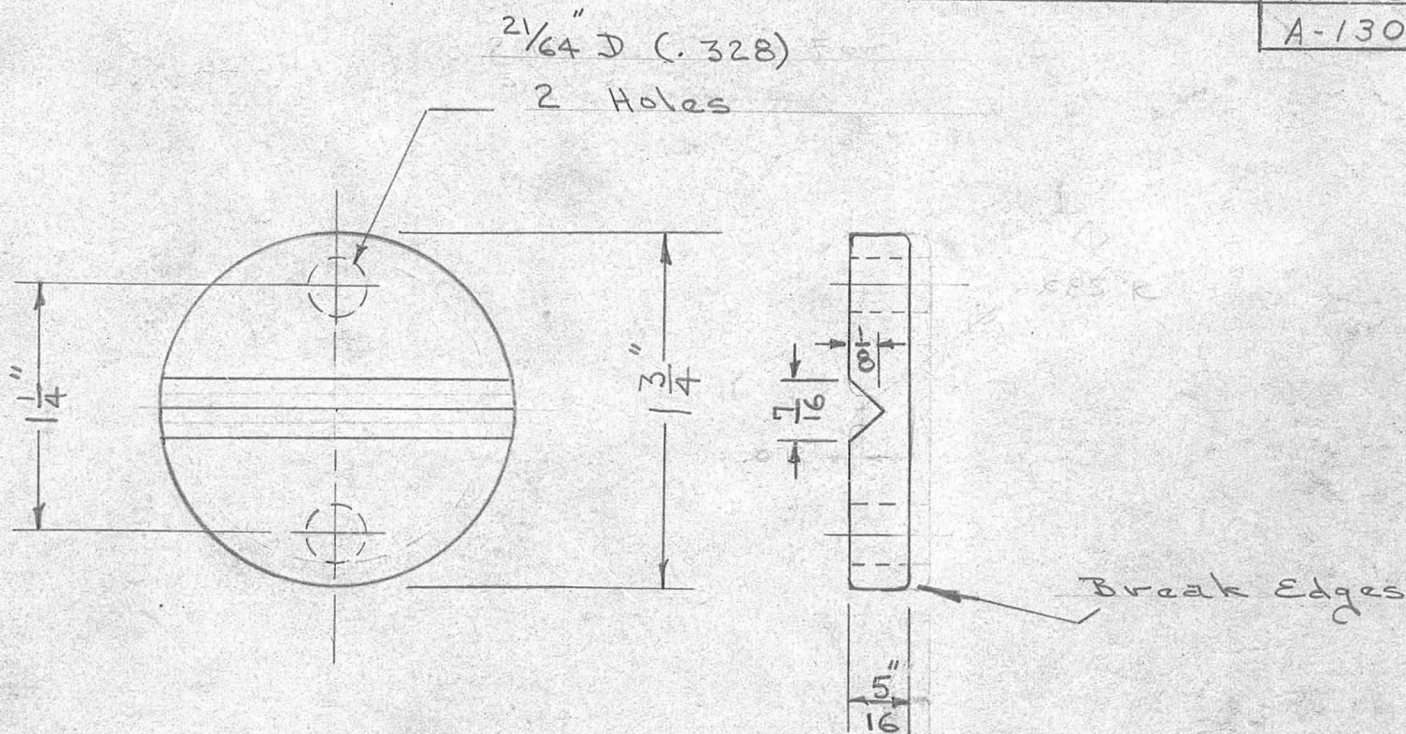
RELEASED

PM-115 D

MAXIMUM ALLOWABLE TOLERANCES HAVE BEEN DETERMINED AND DEVIATIONS WILL BE CAUSE FOR REJECTION. REMOVE ALL BURRS AND SHARP EDGES

USED ON

MODEL	PROJECT NO.	ASS'Y. NO.	DATE
	#141	A-126	8-22-52
		A-130	



ISSUE	ITEM	CHANGED FROM	DATE	CN. NO.	DRAFTS	CHECKER	ENG. APP.
D	4	was PM-115	7/1/53	4	JAD		
C	3	S-105	12-10-52	3	JAD	#	
B	2	GENERAL REVISION	12-10-52	2	JAD	IG	
A	1	WAS .085" R.	10/8/52	1	L.G.	RFB	

REQ.	ITEM	PART NO.	DESCRIPTION	SYMBOL
		.312	THE TECHNICAL MATERIEL CORP.	
		STOCK SIZE	MAMARONECK, NEW YORK	
		BRASS	INSULATOR CAP	
		MATERIAL	WEIGHT PER PC.	
		TYPE & TEMPER	JAD 8-22-52	
			DRAWN	ELEC. DES. APP.
			RFB 8/29/52	MECH. DES. APP.
		HEAT TREAT. SPEC.	CHECKED	FINAL APPROVAL
		S-135		
		FINISH & SPEC. NO.		

TOLERANCES	SCALE	DRILL, PUNCH, COMMERCIAL STOCK SIZES AND MANUFACTURERS TOLERANCES ARE NOT INCLUDED.
ALL OTHERS DEC. DIM. ± FRAC. DIM. ± 1/64 ANGULAR DIM. ±		

PM-115 D