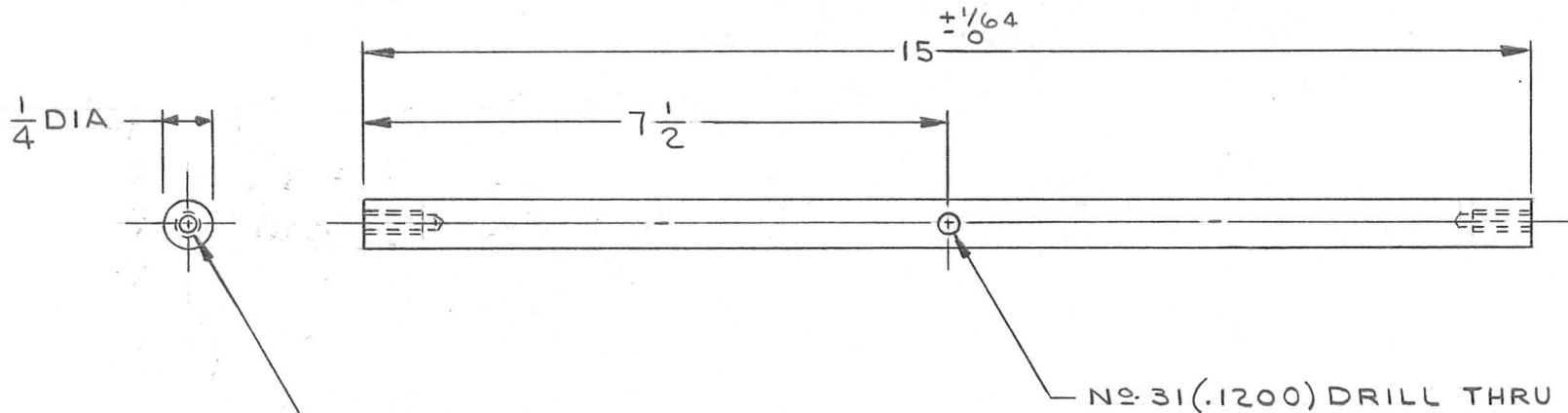


REQ. PER UNIT	USED ON		
	MODEL	ASS'Y. NO.	DATE
1	RTMU-1	A3908	6/3/64
2	RTIA-1	A4001, A4002	6/3/64

PM1076  $\Phi$



REMOVE ALL BURRS & SHARP EDGES.

SYM	DESCRIPTION	DATE	CH. NO.	DRAFTS	CHECKER	ENG. APP.	REQ. ITEM	PART NO.	F. E. EATON DESCRIPTION	SYMBOL	
$\Phi$	ORIGINAL RELEASE FOR PRODUCTION	1/18-65	$\Phi$	$\Phi$	J.M.		1/4 DIA ROD		THE TECHNICAL MATERIEL CORP. MAMARONECK, NEW YORK GUIDE - HOOK, EXTRACTOR	$\Phi$	
XI	TAPPED HOLES WERE #3-48; 15" TOL. WAS $\pm \frac{1}{64}$ ; ADDED TYPE	6/18/64	XI	JL		STOCK SIZE					
X	EXPERIMENTAL RELEASE	6/4/64	X	JL		ALUMINUM					
						MATERIAL					
UNLESS OTHERWISE SPECIFIED DIMENSIONS ARE IN INCHES AND INCLUDE CHEMICALLY APPLIED OR PLATED FINISHES		SCALE	NONE				2024-T4		J. LESHINSKI $\Phi$ @ RAC		
DECIMALS .X $\pm$ .05 .XX $\pm$ .01 .XXX $\pm$ .005	TOLERANCES	FRACTIONS $\pm$ 1/64 ANGLES $\pm$ 0° 30'	CODE A				YELLOW IRIDITE PER S404	FINISH & SPEC. NO.	DRAWN J.E. Eaton 1/18/65	CHECKED W. JORDAN 1/18/65	FINAL APPROVAL PM1076 $\Phi$
									ELEC. DES. APP.	MECH. DES. APP.	