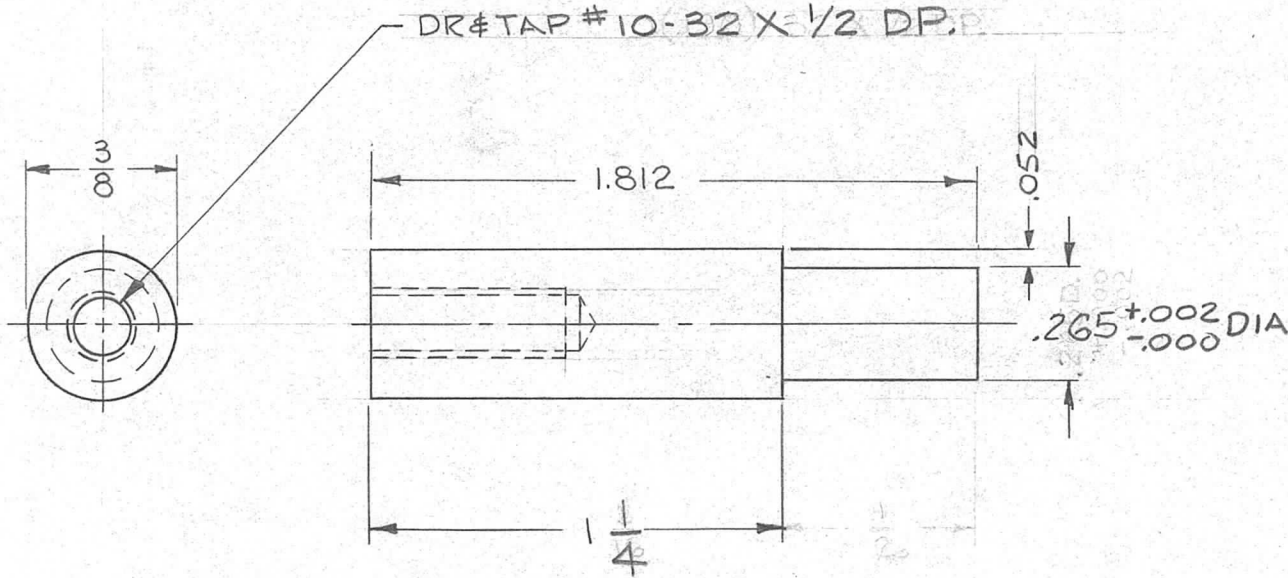


PRELIMINARY DRAWING

Not for Production

REQ. PER UNIT	USED ON		
	MODEL	ASS'Y. NO.	DATE
1	HFR-2	A3548	3-2-64
1	HFRR-2	A3533	

PM-1038 \emptyset



NOTE:

REMOVE ALL BURRS & SHARP EDGES

REQ.	ITEM	PART NO.	T. KRUY DESCRIPTION				SYMBOL
		#	THE TECHNICAL MATERIEL CORP. MAMARONECK, NEW YORK				
		STAINLESS STEEL	SHAFT, DETENT ARM				
		# 303	Drawn	@ 5-5-64	Final Approval		
		S104 PASSIVATE	T. Kruey		PM-1038 \emptyset		
		FINISH & SPEC. NO.	ELEC. DES. APP.		MECH. DES. APP.		
			UNLESS OTHERWISE SPECIFIED DIMENSIONS ARE IN INCHES AND INCLUDE CHEMICALLY APPLIED OR PLATED FINISHES				
			SCALE Z:1				
			DECIMALS .X ± .05 .XX ± .01 .XXX ± .005				
			FRACTIONS ± 1/64 ANGLES ± 0° 30'				
			TOLERANCES				
			CODE A				