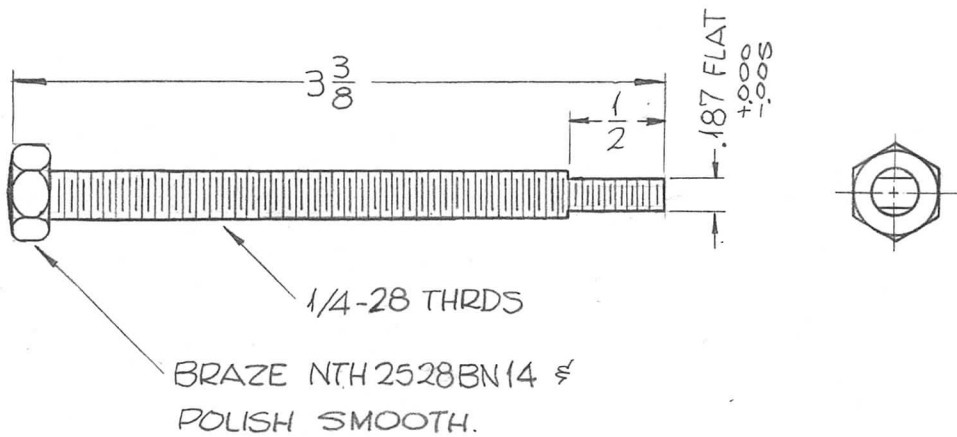


REQ. PER UNIT	USED ON			PM-1013	Ø
	MODEL	ASS'Y. NO.	DATE		
1	GPT-200K	AX-392	12-27-63		



							REQ.	ITEM	PART NO.	F. BUDETTI	DESCRIPTION	SYMBOL									
							—			THE TECHNICAL MATERIEL CORP. MAMARONECK, NEW YORK											
							STAINLESS STEEL			BOLT, CAPACITOR ADJ.											
							MATERIAL														
UNLESS OTHERWISE SPECIFIED DIMENSIONS ARE IN INCHES AND INCLUDE CHEMICALLY APPLIED OR PLATED FINISHES							SCALE 1"=1"			303	—	SRG	aa	Roe							
DECIMALS .X ± .05 .XX ± .01 .XXX ± .005							TOLERANCES							FRACTIONS ± 1/64 ANGLES ± 0° 30'							
CODE							S104-PASSIVATE			DRAWN			CHECKED			FINAL APPROVAL					
							FINISH & SPEC. NO.			ELEC. DES. APP.			MECH. DES. APP.			PM-1013			Ø		