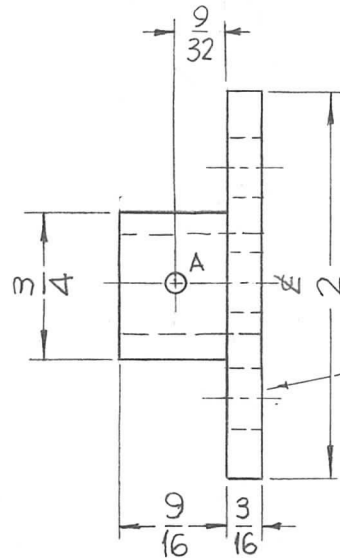
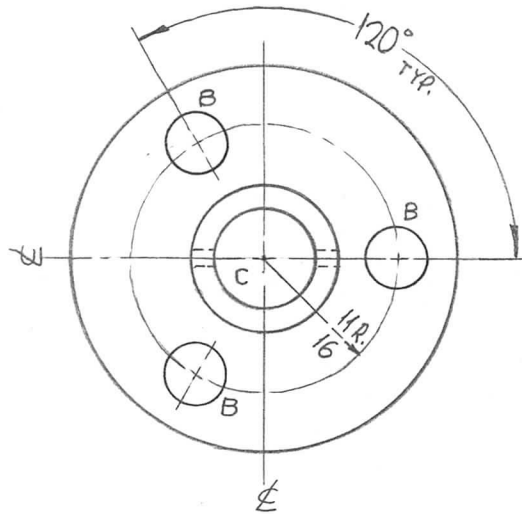


| REQ. PER UNIT | USED ON           |            |          |
|---------------|-------------------|------------|----------|
|               | MODEL             | ASS'Y. NO. | DATE     |
| 1             | GPT-200K (AX-391) | A-3159     | 12-30-63 |

PM-1005-0



HOLES:

- A - 3/32 DIA. — 2 REQ.
- B - 5/16 DIA. — 3 REQ.
- C - .500 DIA. — 1 REQ.

METAL STAMP TMC NO. PM-1005-0  
1/8 HIGH GOTHIC ON THIS SURFACE.

|  |  |  |  |  |  |  |                     |                   |                              |                 |                |
|--|--|--|--|--|--|--|---------------------|-------------------|------------------------------|-----------------|----------------|
|  |  |  |  |  |  |  | REQ. ITEM           | PART NO.          | F. BUDETTI                   | DESCRIPTION     | SYMBOL         |
|  |  |  |  |  |  |  | AS NOTED            |                   | THE TECHNICAL MATERIEL CORP. |                 |                |
|  |  |  |  |  |  |  | STOCK SIZE          |                   | MAMARONECK, NEW YORK         |                 |                |
|  |  |  |  |  |  |  | ALUMINUM            |                   | WOBBLE PLATE, FEMALE         |                 |                |
|  |  |  |  |  |  |  | MATERIAL            |                   |                              |                 |                |
|  |  |  |  |  |  |  | 5052-H32            |                   | SRG                          | aa gcb          | RJC 4-7-64     |
|  |  |  |  |  |  |  | TYPE & TEMPER       | HEAT TREAT. SPEC. | DRAWN                        | CHECKED         | FINAL APPROVAL |
|  |  |  |  |  |  |  | S404 YELLOW IRIDITE |                   | [Signature]                  | [Signature]     | PM-1005-0      |
|  |  |  |  |  |  |  | FINISH & SPEC. NO.  |                   | ELEC. DES. APP.              | MECH. DES. APP. |                |

ORIGINAL RELEASE FOR PRODUCTION

32-64

| SYM | DESCRIPTION   | DATE                                      | CH. NO.    | DRAFTS | CHECKER | ENG. APP. |
|-----|---|---|------------|--------|---------|-----------|
|     | UNLESS OTHERWISE SPECIFIED<br>DIMENSIONS ARE IN INCHES AND INCLUDE<br>CHEMICALLY APPLIED OR PLATED FINISHES | SCALE                                     | 1" = 1"    |        |         |           |
|     | DECIMALS<br>.X ± .05<br>.XX ± .01<br>.XXX ± .005  | FRACTIONS<br>± 1/64<br>ANGLES<br>± 0° 30' | TOLERANCES | CODE   | A       |           |