

IF IT IS FOUND DESIRABLE TO CHANGE ANY TOLERANCE OR OTHER DETAIL SPECIFIED ON THIS DRAWING NOTIFY THE PURCHASER PROMPTLY.

MAXIMUM ALLOWABLE TOLERANCES HAVE BEEN DETERMINED AND DEVIATIONS WILL BE CAUSE FOR REJECTION. REMOVE ALL BURRS AND SHARP EDGES

RELEASED

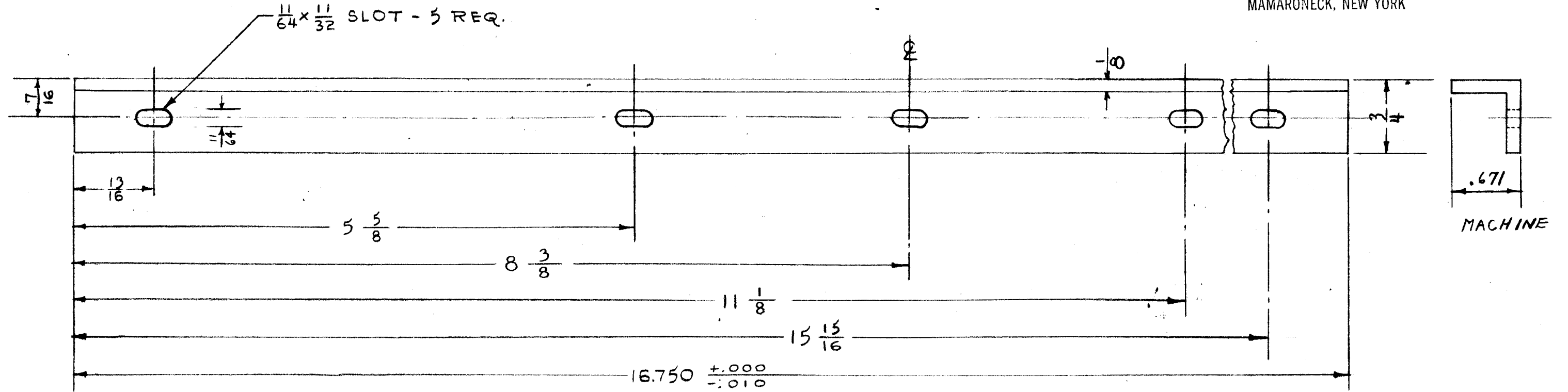
PM-163 A

**NOTICE TO PERSONS RECEIVING THIS DRAWING**

THE TECHNICAL MATERIEL CORPORATION claims proprietary right in the material disclosed herein. This drawing is issued in confidence for engineering information only and may not be reproduced or used to manufacture anything shown hereon without permission from THE TECHNICAL MATERIEL CORPORATION to the user. This drawing is loaned for mutual assistance and is subject to recall at any time.

Property of:

THE TECHNICAL MATERIEL CORPORATION  
MAMARONECK, NEW YORK



REQ. ITEM	PART NO.	DESCRIPTION	SYMBOL
3/4 x 3/4 x 1/8 ANGLE		THE TECHNICAL MATERIEL CORP.	
STOCK SIZE		MAMARONECK. NEW YORK	
ALUMINUM		SUPPORT	
MATERIAL	WEIGHT PER PC.		
635-T5			
TYPE & TEMPER	16 11-11-52		
	DRAWN	ELEC. DES. APP.	MECH. DES. APP.
	16 11/13/52		
HEAT TREAT. SPEC.	CHECKED	FINAL APPROVAL	
S-404, S-114, S-115		PM-163	A
FINISH & SPEC. NO.			

ISSUE	ITEM	CHANGED FROM	DATE	CN. NO.	DRAFTS	CHECKER	ENG. APP.
A	1	S-404 WAS S-101	12/15/52	1001	AB		EMN

TOLERANCES		SCALE: FULL SIZE
ALL OTHERS	DEC. DIM. ± .005 FRAC. DIM. ± 1/64 ANGULAR DIM. ±	DRILL, PUNCH, COMMERCIAL STOCK SIZES AND MANUFACTURERS TOLERANCES ARE NOT INCLUDED.

MODEL	PROJECT NO.	ASS'Y. NO.	DATE
EPP	162	A-253	11-11-52