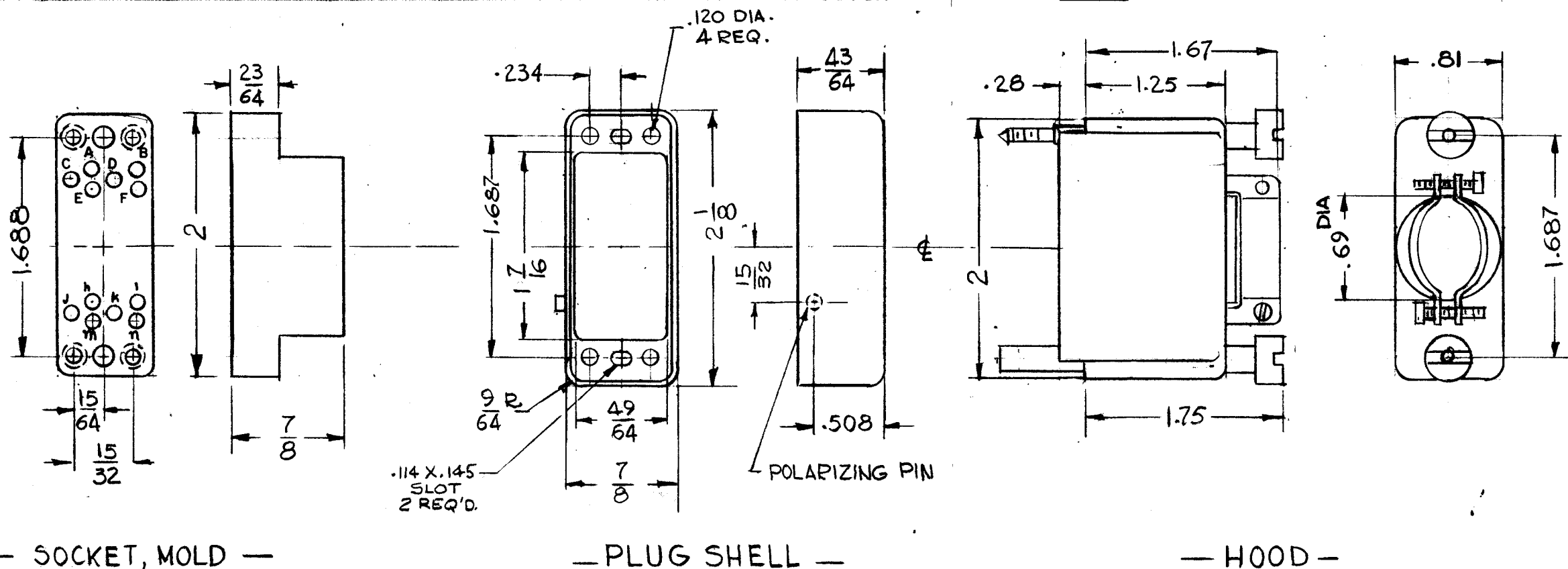


TMC PART NO.	MFGR. PART NO.	NO. OF CONTACTS	TMC P/N CONTACT PIN	CONTACT TYPE
PL249-34F	GMCT-34F-EPA-Y	34	PN122	FEMALE

REVISIONS					
SYM	DESCRIPTION	DATE	E.M.N. NO.	DRAFT	CHKD APPD
X	EXPER. RELEASE	12-1-64		G.D.L.	
Ø	ORIGINAL RELEASE FOR PRODUCTION	12-10-64	Ø	J.P.	

PL 249



— SPECIFICATIONS —

CONTACT:
 STYLE: REMOVABLE CRIMP PIN
 CURRENT RATING: 13 AMP
 VOLTAGE BREAKDOWN: 5000VDC @ SEA LEVEL BETWEEN CONTACTS
 DIELECTRIC: DIALYL PHTHALATE
 POLORIZATION: KEY
 CABLE RETAINER: HOOD WITH CLAMP

— SOCKET, MOLD —

— PLUG SHELL —

— HOOD —

NOTE:
TO BE USED ONLY AS SPARE PART FOR RTKY-1.

STANDARD DRAWING

RTKY-1		ASS'Y. NO.
Q'TY./UNIT	MODEL USED ON	
SCALE	CODE	
DO NOT SCALE	C	S401-349

THE CONTENTS OF THIS DRAWING ARE THE EXCLUSIVE PROPERTY OF THE TECHNICAL MATERIEL CORP. ITS UNAUTHORIZED USE OR REPRODUCTION IN WHOLE OR IN PART IS STRICTLY FORBIDDEN.

REQ'D.	ITEM	PART NUMBER	DESCRIPTION	SYMBOL
LIST OF MATERIAL				
MATERIAL		THE TECHNICAL MATERIEL CORP. MAMARONECK, NEW YORK		
FINISH		TITLE CONNECTOR, PLUG (REMOVABLE CONTACTS)		
UNLESS OTHERWISE SPECIFIED DIMENSIONS ARE IN INCHES AND INCLUDE CHEMICALLY APPLIED OR PLATED FINISHES		DRAWN G.D.L.	DATE 12-1-64	FINAL APPROVAL <i>[Signature]</i>
		CHECKED <i>[Signature]</i>	DATE 12-9-64	
DECIMALS .X ± .05 .XX ± .01 .XXX ± .005		FRACTIONS ± 1/64 ANGLES ± 0° 30'		ELECT. DES. DATE 12-9-64
		MECH. DES. <i>[Signature]</i>		DATE 12-9-64
				PL 249
				Ø
				SHEET
				REV. LTR.

NOTES