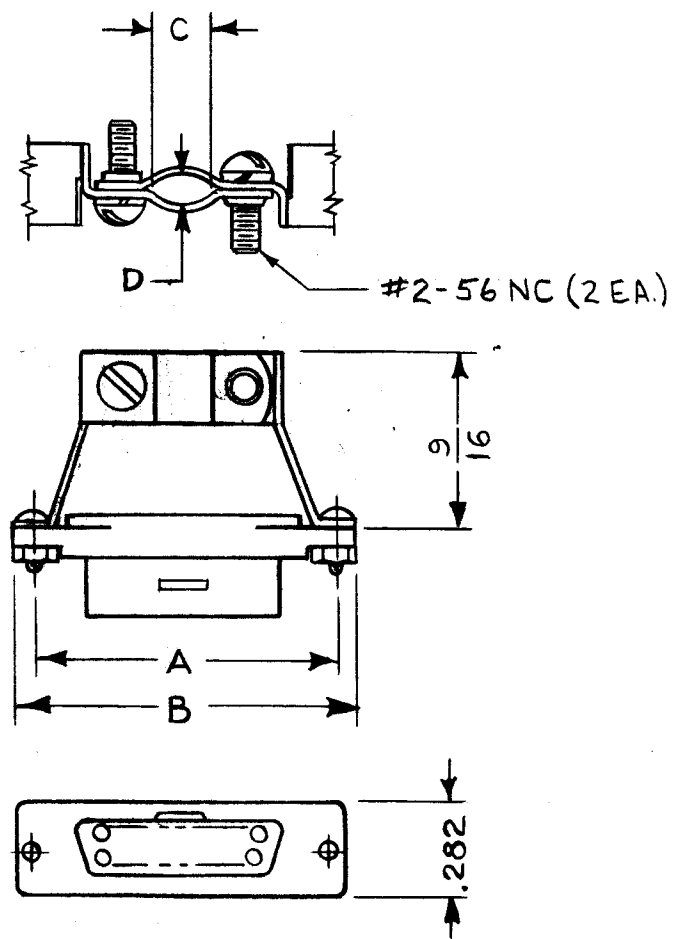


TMC P/N	MFG P/N	MFG P/N CABLE CLAMP	A	B	C	D	MATES WITH	NO. OF CONTACTS	REVISIONS						
									SYM	DESCRIPTION	DATE	E.M.N. NO.	DRAFT	CHKD	APPD
PL-241-1	223-1	223-21-01	.593	.843	.127	.064	JJ-308-1	5	0	ORIGINAL RELEASE FOR PRODUCTION	8.4.64	+	WFB		
PL-241-2	223-5	223-21-03	1.193	1.443	1.015	.170	JJ-308-2	17	A	ON PICT. SCREW NOTE ADD, ON CHART IT. "2" & "NO. OF CONTACTS" COLUMN ADD, IT. 1, UNDER MFG. P/N COLUMN WAS "223-672".	10-22-64	12687	2L	@	2



Specs.

- Quantity of contacts: See Chart
- Quantity of mating ends: 1
- Contact data
 - Quantity of identical contacts: SEE CHART
 - type: female
 - style: Round pin
 - Current Rating: 3 AMP
 - Voltage Rating: 375 V RMS
 - Contact Connected to shell: No
 - Contact Wired for ext. Grd: No
 - Material: Copper
 - Finish: Gold Plate
- Dielectric Material: L exam
- Shell data
 - type: Inclosed
 - Material: L exam
 - Corrosion Resistant: yes
- Polorization
 - type: Shell shape
- Locking type: Snap Detent
- Cable accomodation data
 - Max. cable size: 3/16
 - Wire Size: # 22
 - Clamp: yes

STANDARD DRAWING

Q'TY./UNIT		MODEL USED ON		ASS'Y. NO.	
SCALE		CODE	S401-71		
		C			

THE CONTENTS OF THIS DRAWING ARE THE EXCLUSIVE PROPERTY OF THE TECHNICAL MATERIEL CORP. ITS UNAUTHORIZED USE OR REPRODUCTION IN WHOLE OR IN PART IS STRICTLY FORBIDDEN.

NOTES

REQ'D.	ITEM	PART NUMBER	DESCRIPTION	SYMBOL
M. GELLMAN LIST OF MATERIAL				
MATERIAL		THE TECHNICAL MATERIEL CORP. MAMARONECK, NEW YORK		
FINISH		TITLE CONNECTOR, MICRO-MINIATURE MALE		
UNLESS OTHERWISE SPECIFIED DIMENSIONS ARE IN INCHES AND INCLUDE CHEMICALLY APPLIED OR PLATED FINISHES		DRAWN N. Peter	DATE 7-9-64	FINAL APPROVAL KAL
DECIMALS .X ± .05 .XX ± .01 .XXX ± .005		ELECT. DES. MECH. DES.		DATE 7-9-64 DATE 7-8-64
TOLERANCES ± 1/64 ANGLES ± 0° 30'		SHEET		PL-241 A
		REV. LTR.		