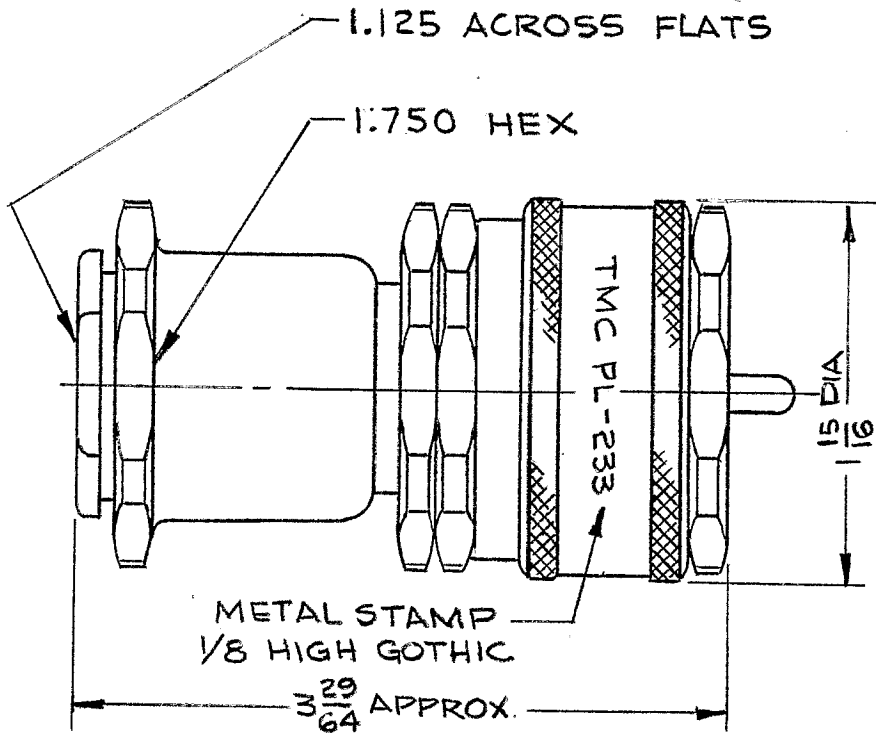


THE CONTENTS OF THIS DRAWING ARE THE EXCLUSIVE PROPERTY OF THE TECHNICAL MATERIEL CORP. ITS UNAUTHORIZED USE FOR REPRODUCTION IN WHOLE OR IN PART IS STRICTLY FORBIDDEN.

REQ. PER UNIT	USED ON			PL-233
	MODEL	ASS'Y. NO.	DATE	
			6-7-63	



**SPECIFICATIONS:**

Series - QDL  
 No. of Contacts - One (1)  
 Type of Contact - Male  
 Dielectric - Teflon

**ELECTRICAL DATA:**

Max. Peak Opr. Volt - 10,000 V.  
 Freq. Limit - 1,000 MC  
 Nominal Impedance - 50 Ohms

**CABLE ACCOMMODATIONS:**

Type - RG-211/U

**MATERIAL:**

External Parts - Brass  
 Contact - Brass  
 Gaskets - Silicone Rubber  
 Contact Fingers - Beryllium Copper

**FINISH:**

External Parts - Silver Plate and Rhodium Flash  
 Contact, Fingers - Silver Plate and Gold Flash

							REQ. ITEM	PART NO.	MARTINENG <sub>6</sub>	DESCRIPTION	SYMBOL	
							STOCK SIZE		THE TECHNICAL MATERIEL CORP. MAMARONECK, NEW YORK			
									CONNECTOR, PLUG			
							MATERIAL		QDL, CABLE RG-211/U			
UNLESS OTHERWISE SPECIFIED DIMENSIONS ARE IN INCHES AND INCLUDE CHEMICALLY APPLIED OR PLATED FINISHES							SCALE		NONE			
SYMBOL DESCRIPTION DATE CH. NO. DRAFTS CHECKER ENG. APP.									DRAWN: JCB, CHECKED: JCB 6/11/63, FINAL APPROVAL: YFH 6/14/63			
DECIMALS .X ± .05 .XX ± .01 .XXX ± .005							FRACTIONS ± 1/64 ANGLES ± 0° 30'		CODE		S 401-70(2952)	
TOLERANCES							FINISH & SPEC. NO.		ELEC. DES. APP.		MECH. DES. APP.	
											PL-233	