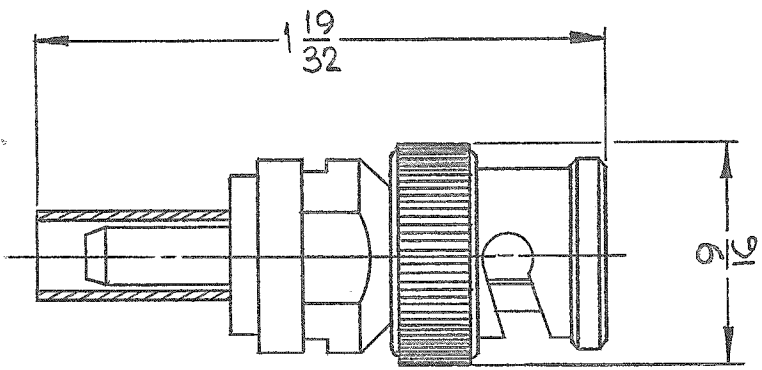
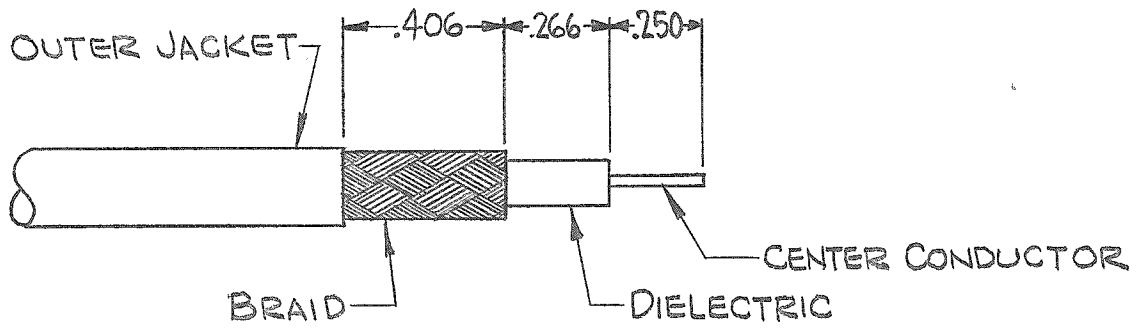


REQ. PER UNIT	USED ON			PL 202	Ø
	MODEL	ASS'Y. NO.	DATE		



STAMP TMC PT. NO. "PL202-"

CABLE CUTTING DIMENSIONS



SPECIFICATIONS

SERIES: BNC
 NO. OF CONTACTS: ONE (1)
 TYPE OF CONTACT: MALE
 DIELECTRIC: TEFLON
ELECTRICAL DATA:
 MAX. PEAK OPR. VOLTS: 500V
 FREQ. LIMIT: 10,000 MHZ
 NOMINAL IMPEDANCE: 50 OHMS
CABLE ACCOMODATIONS:

TYPES: RG 122, 180A & 195/U
MATERIAL:
 EXTERNAL PARTS: BRASS
 CONTACT: BERYLLIUM COPPER
 GASKET: SILICONE RUBBER
FINISH:
 EXTERNAL PARTS: SILVER PLATE & RHODIUM FLASH
 CONTACT: SILVER PLATE & GOLD FLASH
MATING CONNECTOR: UG 625/U
 NOTE: CRIMP CLAMP TYPE
 REF: TOOL (S401-35 *WT 203)

REQ.	ITEM	PART NO.	MARTINENGO	DESCRIPTION	SYMBOL	
Ø	ORIG. RELEASE FOR PROD.	9-21-67	Ø	RS.	<i>[Signature]</i>	
X2	ELECT & FINISH DATA: UPDATED	9-20-67	Ø	ENU	<i>[Signature]</i>	
X1	"TOOL THOMAS & BETTS # WT-203" ADDED.	2.20.67	Ø	WHD	<i>[Signature]</i>	
SYM	DESCRIPTION	DATE	CH. NO.	DRAFTS	CHECKER	ENG. APP.
UNLESS OTHERWISE SPECIFIED DIMENSIONS ARE IN INCHES AND INCLUDE CHEMICALLY APPLIED OR PLATED FINISHES		SCALE	<i>[Signature]</i>			
DECIMALS .X ± .05 .XX ± .01 .XXX ± .005	TOLERANCES	FRACTIONS ± 1/64 ANGLES ± 0° 30'	CODE C	S 401 70 (2276)		
SEE SPECS.		MATERIAL		THE TECHNICAL MATERIEL CORP. MAMARONECK, NEW YORK		
SEE SPECS.		STOCK SIZE		PLUG, CONNECTOR		
SEE SPECS.		MATERIAL		SERIES "BNC"		
TYPE & TEMPER		HEAT TREAT. SPEC.		3-22-66 H. AUSTIN	<i>[Signature]</i>	<i>[Signature]</i>
FINISH & SPEC. NO.		ELEC. DES. APP.		MECH. DES. APP.		
SEE SPECS.		FINISH & SPEC. NO.		PL 202 Ø		