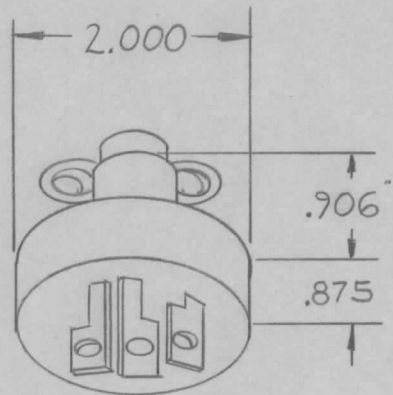


REQ. PER. UNIT	USED ON			PL-191	A
	MODEL	ASS'Y. NO.	DATE		



30 AMP 250 V. AC. OR D.C.  
 ADJUSTABLE CORD GRIP  
 CORD DIA. .625 TO 1.000

IF DESIRED GROUNDED . ADD  
 LETTER "G" TO CAT. NO.

TYPE	DESCRIPTION
NG	NOT GROUNDED
WG	WITH GROUND

PL-191    NG  
 TMC NO.    TYPE

REF. DWG. PL-190  
 REF: HARVEY HUBBELL INC. CAT No 3331

							REQ.	ITEM	PART NO.	DESCRIPTION			SYMBOL		
							STOCK SIZE			THE TECHNICAL MATERIEL CORP. MAMARONECK, NEW YORK					
							MATERIAL			CONNECTOR, 3 WIRE LOCKING TYPE, POLARIZED					
TOLERANCES							SCALE (DO NOT SCALE)			ALL	FILE	OMP			
DEC. DIM. ± FRAC. DIM. ± 1/64 ANGULAR DIM. ±							MAXIMUM ALLOWABLE TOLERANCES HAVE BEEN DETERMINED AND ANY DEVIATIONS WILL BE CAUSE FOR REJECTION. REMOVE ALL BURRS AND SHARP EDGES			TYPE & TEMPER	HEAT TREAT. SPEC.	DRAWN	CHECKED	FINAL APPROVAL	
							FINISH & SPEC. NO.			ELEC. DES. APP		MECH. DES. APP		PL-191	A