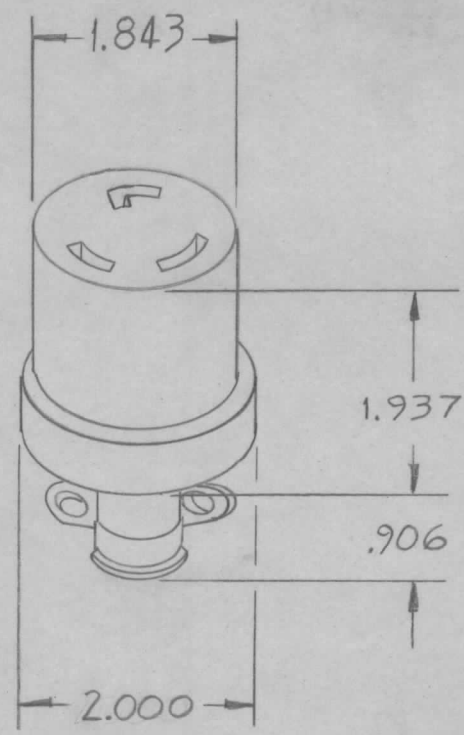


REQ. PER. UNIT	USED ON			PL-190	B
	MODEL	ASS'Y. NO.	DATE		
	RAK-9				

TYPE	DESCRIPTION
NG	NOT GROUNDED
WG	WITH GROUND SHUNT

PL-190 NG
 TMC NO. TYPE



30 A. 250V AC OR DC
 ADJUSTABLE CORD GRIP
 CORD DIA. -.625 TO 1.000

IF DESIRED WITH GROUND SHUNT ADD LETTER "G" TO CAT. NO.

REF. DWG. PL-191 & JJ-194
 REF: HARVEY HUBBELL INC. CAT NO. 3333

REQ.	ITEM	PART NO.	DESCRIPTION				SYMBOL	
			THE TECHNICAL MATERIEL CORP.					
			MAMARONECK, NEW YORK					
			CONNECTOR, 3 WIRE					
			LOCKING TYPE POLARIZED					
B	1		DIRECTION OF KEY REVERSED	11/2/65	CC	MVJ	QC	
A	1		CAT. NO. WAS T313	11-22-60	3538	DOM	gob	SPM
ISSUE	ITEM	CHANGED FROM	DATE	CH. NO.	DRAFTS	CHECKER	ENG. APP.	
TOLERANCES			SCALE (DO NOT SCALE)					
DEC. DIM. ±			MAXIMUM ALLOWABLE TOLERANCES HAVE BEEN DETERMINED AND ANY DEVIATIONS WILL BE CAUSE FOR REJECTION. REMOVE ALL BURRS AND SHARP EDGES					
FRAC. DIM. ± 1/64								
ANGULAR DIM. ±								
FINISH & SPEC. NO.		ELEC. DES. APP	MECH. DES. APP	DRAWN		CHECKED	FINAL APPROVAL	
				SPM			PL-190 B	