

IF IT IS FOUND DESIRABLE TO CHANGE ANY TOLERANCE OR OTHER DETAIL SPECIFIED ON THIS DRAWING NOTIFY THE PURCHASER PROMPTLY.

PL-119

MAXIMUM ALLOWABLE TOLERANCES HAVE BEEN DETERMINED AND DEVIATIONS WILL BE CAUSE FOR REJECTION. REMOVE ALL BURRS AND SHARP EDGES

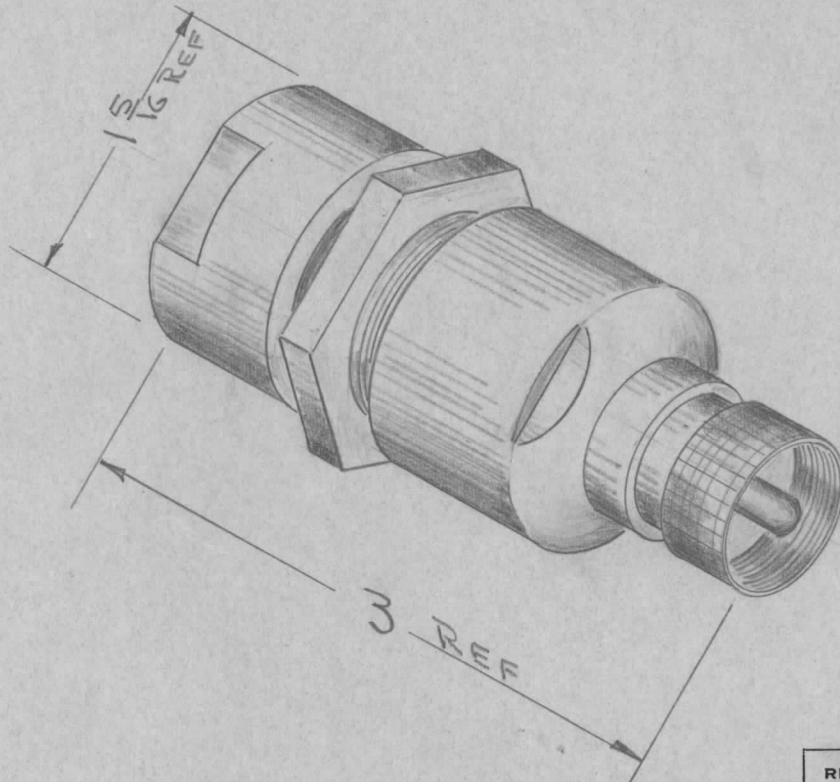
USED ON

MODEL

PROJECT NO.

ASS'Y. NO.

DATE



SPECIFICATIONS

1. Mfd. to applicable ASES standard specifications for RF Cable connectors.
2. Accepts RG-35/U (.945 max OD) armor covered cable.
3. Mates U.S. Sig. C. S0239, (Navy 49194, Amphenol 83-1R) Connector, receptacle.

REQ.	ITEM	PART NO.	DESCRIPTION	SYMBOL
			THE TECHNICAL MATERIEL CORP. MAMARONECK. NEW YORK	
STOCK SIZE				
			CONNECTOR, ADAPTER, RG-35/U to	
MATERIAL		WEIGHT PER PC.	RG-8,9,10,11/U RF Cables	
TYPE & TEMPER				
			DRAWN <i>JAD</i> 12-17-54	
			ELEC. DES. APP. <i>A. J. J.</i>	
			MECH. DES. APP. <i>1102</i>	
HEAT TREAT. SPEC.			CHECKED	
			FINAL APPROVAL	
			PL-119	
FINISH & SPEC. NO.				

ISSUE	ITEM	CHANGED FROM	DATE	CN. NO.	DRAFTS	CHECKER	ENG. APP.

TOLERANCES

SCALE S-401-70 - (2427)

ALL OTHERS

DEC. DIM. ±
FRAC. DIM. ±
ANGULAR DIM. ±

DRILL, PUNCH, COMMERCIAL STOCK SIZES AND MANUFACTURERS TOLERANCES ARE NOT INCLUDED.