

IF IT IS FOUND DESIRABLE TO CHANGE ANY TOLERANCE OR OTHER DETAIL SPECIFIED ON THIS DRAWING NOTIFY THE PURCHASER PROMPTLY.

STANDARD DRAWING

PL-100 A

MAXIMUM ALLOWABLE TOLERANCES HAVE BEEN DETERMINED AND DEVIATIONS WILL BE CAUSE FOR REJECTION. REMOVE ALL BURRS AND SHARP EDGES

USED ON

MODEL

PROJECT NO.

ASS'Y. NO.

DATE

SPECIFICATIONS

NUMBER OF CONTACTS- 2
 CURRENT RATING- 10 AMPS AT 250 VAC
 15 AMPS AT 125 VAX

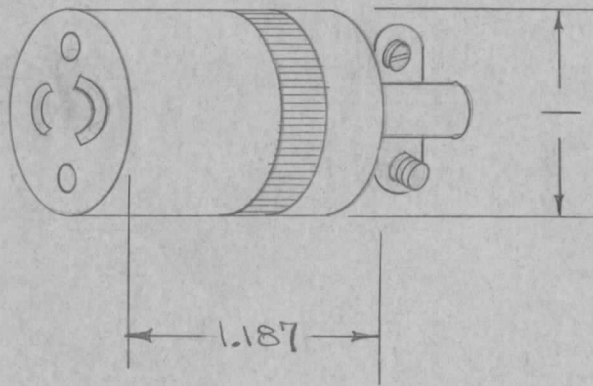
SHIELDING-NONE
 POLARIZATION-CONTACT WIDTH
 LOCKING-- BY ROTATION

CABLE SIZE- 0.218 TO 0.312 DIAMETER
 CONTACTS- PHOSPHER BRONZE, ONE CONTACT
 ZINC PLATE

BODY MATERIAL- BAKELITE, TYPE CFG PER
 MIL-M-14F

CABLE CLAMP- COLD ROLLED STEEL, STATUARY
 BRONZE FINISH

MATING CONNECTOR-TMC JJ-100



MATING JJ-100
 REF: HUBBEL MFG CO. CAT. NO. 7464

A	1	UPDATED DWG.	3/25/64	11110	AM.	@	jc
#	#	REDRAWN - NO CHANGE	6/28/54	#	C.D.D.	JAL	jc
ISSUE	ITEM	CHANGED FROM	DATE	CN. NO.	DRAFTS	CHECKER	ENG. APP.

REQ.	ITEM	PART NO.	DESCRIPTION	SYMBOL
			THE TECHNICAL MATERIEL CORP. MAMARONECK, NEW YORK	
		STOCK SIZE		
			PLUG, FEMALE TWIST	
		MATERIAL	LOCK	
		WEIGHT PER PC.	C.D.D. 6-28-54	G.T.O.
		TYPE & TEMPER	DRAWN	ELEC. DES. APP.
			JAL	MECH. DES. APP.
		HEAT TREAT. SPEC.	CHECKED	FINAL APPROVAL
				PL-100 A
		FINISH & SPEC. NO.		

TOLERANCES		SCALE	5401-43(7464)
ALL OTHERS	DEC. DIM. ± FRAC. DIM. ± ANGULAR DIM. ±	DRILL, PUNCH, COMMERCIAL STOCK SIZES AND MANUFACTURERS TOLERANCES ARE NOT INCLUDED.	